



**Product Catalog**

STYLE **FUNCTION** COMFORT

## OUR COMPANY

Flight Dental Systems is a Canadian owned and operated dental equipment manufacturer with sales in over 25 countries globally. It is one of the fastest growing dental equipment manufacturers in the industry and its philosophy has always been to produce an innovative product with exceptional design, reliability and quality, at an affordable price. This philosophy is evident throughout the Flight product line, as each item is meticulously designed and engineered to suit the needs and requirements of every practitioner. In addition, Flight Dental Systems continues to improve its products through extensive R&D to provide the best possible product for the best possible price to its customer.

# A6 PATIENT CHAIR

## STANDARD FEATURES



### DESIGNED & ENGINEERED IN CANADA

Designed and Engineered in Canada according to the highest ISO 13485:2016 Standards. Perfect form and function to ensure the operator achieves the best ergonomics to achieve the best results while providing the patient the most comfortable stress-free experience.



### ERGONOMIC DESIGN

Thin Backrest and Seatrest allows better access to the oral cavity while maintaining patient comfort with the memory foam support. The synchronized compensating backrest provides optimal patient and operator comfort during any procedure.

### FUNCTIONAL DESIGN

Dual Drop Down Armrest allows for easy Patient Access and exceptional support when the patient is in the supine position.



Linak Motor From Denmark



Memory Foam



Hydraulic System Made In Japan

- ✓ A6 Hybrid Patient Chair (Hydraulic and Electromechanical)
- ✓ Hydraulic Base and Electromechanical Back Rest
- ✓ Seat Height 14.6" to 27.4" (370mm to 697mm)
- ✓ Backrest Reclining 4 degree to 67 degree
- ✓ Electronic Deluxe Foot Control: 2 Programmable Positions.
- ✓ Auto Return and Last Position
- ✓ Input Voltage (110v or 220v)



# A6 OPERATORY PACKAGE

## STANDARD FEATURES



### CLEAN WATER BOTTLE SYSTEM

Integrated Clean water bottle system with easy conversion from city water to bottle water with a simple flip of a switch. Convenient location and easy to access.



### ADVANCED CONTROLS

Deluxe controls for chair, light and cuspidor control from the doctor side and the assistant side.

### EASY TO USE AND MAINTAIN

Conveniently located and easy to clean vacuum canister filter. Allows for simple maintenance for the staff allowing them time to do other things.



- ✔ A6 Hybrid Patient Chair (Hydraulic and Electromechanical)
- ✔ State-of-the-Art Hands Free Sensor Controlled Flight Torch LED Light
- ✔ Synchronized Chair and Back Movement for Superior Ergonomics
- ✔ Choose from 9 Plush Sewn or Seamless Upholstery Colours and 2 Ultraleather Colours
- ✔ Self Contained Water Bottle System
- ✔ Thin Backrest and Streamlined Seat rest
- ✔ Designed and Engineered in Canada
- ✔ DCI Compatible Parts



# A6 RADIUS PACKAGE

## STANDARD FEATURES



### OPTIONAL CUSPIDOR

Optional Radius Cuspidor available. One Piece Ceramic Cuspidor with timed cup fill and bowl rinse controls right from your touchpad.



### SIMPLE & CLEAN DESIGN

Radius Design allows user to convert from a left handed delivery unit to a right handed delivery unit without the use of any tools. Simple and clean design is a great option for any clinic.

### EASY TO USE AND MAINTAIN

Conveniently located and easy to clean vacuum canister filter. Allows for simple maintenance for the staff allowing them time to do other things.



- ✓ Ambidextrous operation suitable for Left handed or Right Handed Users
- ✓ Unique cantilever base mounted Swing System for reduced weight bearing and less vibration
- ✓ Optional Radius One Piece Ceramic Cuspidor
- ✓ Great for Group Practices and DSOs
- ✓ A6 Hybrid Patient Chair (Hydraulic and Electromechanical)
- ✓ State-of-the-Art Hands Free Sensor Controlled Flight Torch LED Light
- ✓ Synchronized Chair and Back Movement for Superior Ergonomics



# A12 PATIENT CHAIR

## STANDARD FEATURES



Double Articulating Headrest



Rotatable Armrest



### JAPANESE MADE HYDRAULIC DRIVE MECHANISMS

Japanese made Hydraulic Motor and Solenoid provides reliable movement for your dental chair.



### MEMORY FOAM COMFORT

Comfort and support for the patient during those long procedures with a high density memory foam material in the upholstery.

### VERSATILITY

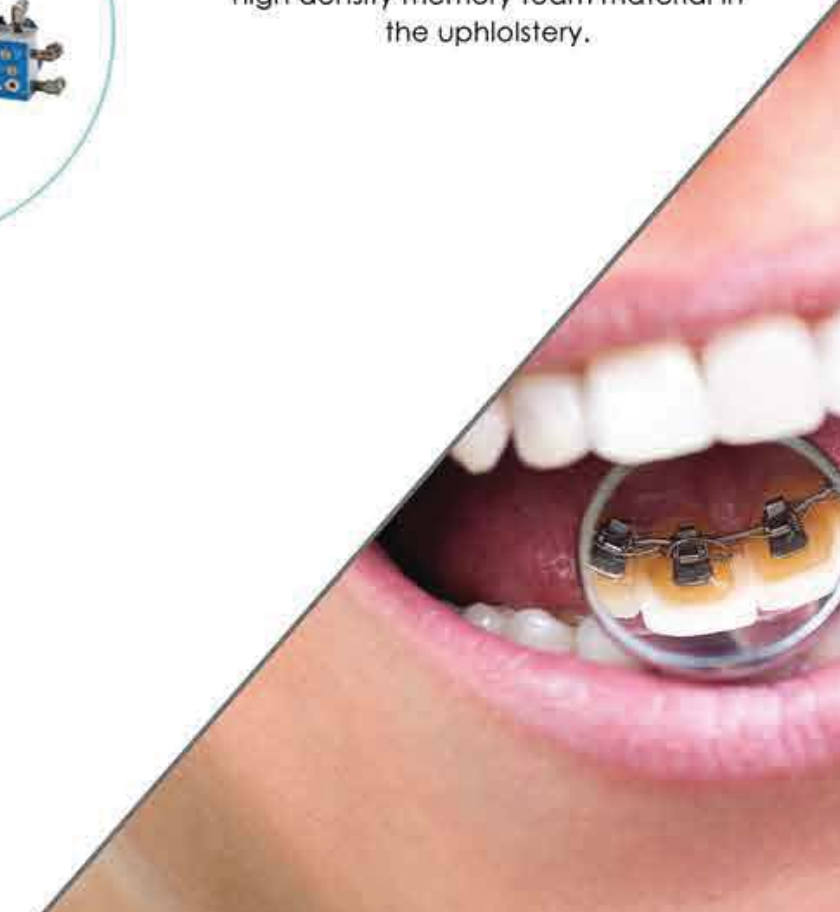
Versatile design with Trendelenburg movement and a 60 degree swivel on the chair that allows the chair to be positioned correctly in any space.



30 Degree Rotation



- ✓ Fully Hydraulic Patient Chair
- ✓ Seat Height 16" to 33.5" (410mm to 850mm)
- ✓ 60° Patient Chair swivel
- ✓ Backrest Reclining Angle – 5 degrees to 67 degrees
- ✓ Electronic Deluxe Foot Control: 2 Programmable Position
- ✓ Auto-Return and Last Position
- ✓ Safety Shut-Off Plate
- ✓ Input Voltage Specify (110V or 220V)



# A12 OPERATORY SYSTEMS

## STANDARD FEATURES



### OPTIONAL CUSPIDOR

Ceramic One Piece Cuspidor mounted to the post mount radius support unit on the A12. 180 degree rotation of the cuspidor for easier patient use. Timed cup fill and bowl rinse.



### CONTINENTAL DELIVERY UNIT

Optional upgrade to a continental up hung delivery unit. Simple design that allows less fatigue during operations with the whip system.

### CLEAN WATER BOTTLE SYSTEM

Conveniently located water bottle system on the front radius arm of the delivery unit. Provides easy access for refilling the water.



- ✓ A12 Hydraulic Patient Chair
- ✓ State-of-the-Art Hands Free Sensor Controlled Flight Torch LED Light
- ✓ Synchronized Chair and Back Movement for superior Ergonomics
- ✓ Choose from 9 Plush Sewn or Seamless Upholstery colours and 2 Ultraleather colours
- ✓ Self Contained Water Bottle System
- ✓ Thin Backrest and Streamlined Seat rest
- ✓ Designed and Engineered in Canada
- ✓ DCI Compatible Parts



# DELIVERY UNITS

# REAR DELIVERY

## TRADITIONAL DELIVERY UNIT



TRAD-2002



TRAD-2001

## CONTINENTAL DELIVERY UNIT



CONT-3002

## PANEL MOUNT DELIVERY



RD-2102/VAC

### FEATURES

- ✓ Easy to Install Cabinet Panel Mount Delivery
- ✓ Includes 3 HP Control Block + Syringe
- ✓ Optional Vacuum Package
- ✓ Clean Water Bottle System Included

## UNDER CABINET MOUNT DELIVERY

RD-3100  
3 HP Under Cabinet Mount



RD-3150  
3 HP Under Cabinet Mount with Vacuum (HVE, SE)



AI-105



## MOBILE CART DELIVERY

### FEATURES

- ✓ Optional Vacuum with HVE + SE (MC-1300FVAC/MC-1302VAC)
- ✓ Solid Frame with Adjustable Height
- ✓ Dual Casters for all surfaces
- ✓ Water Bottle System Included



MC-1300F



MC-1302F

### OPTIONS

- ✓ Water Bottle System (110-032)
- ✓ Fiber Optic System (FO-101KIT)

- ✓ Under Cabinet Mount Vacuum Arm (AI-105)
- ✓ Extra HVE (XHVE-102)



# TORCH LED LIGHT

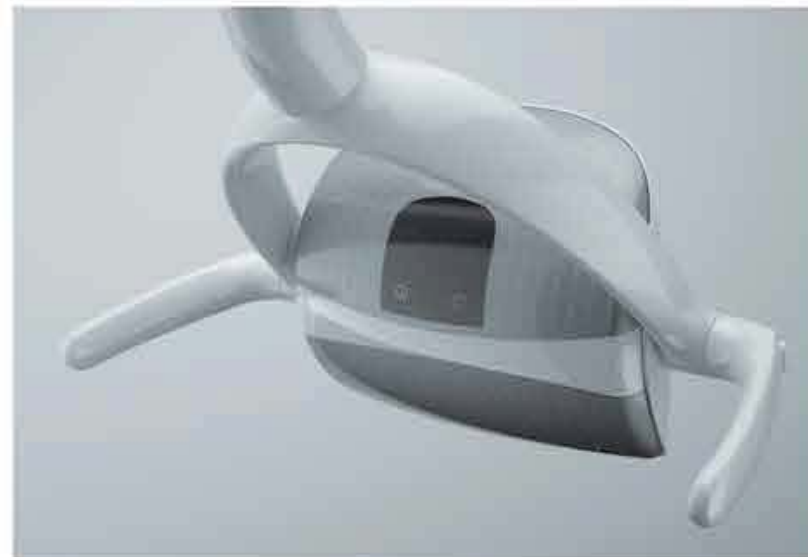
# IRIS LED LIGHT

# STANDARD FEATURES



## STANDARD FEATURES

- ✔ Direct LED Light Bulbs - 50,000 hr life expectancy
- ✔ Energy Efficient, No Heat Production
- ✔ Triple Axis movement of Light Head
- ✔ Sensor control for on/off of light
- ✔ Removable handles for cleaning
- ✔ Shadow less Rectangular Pattern
- ✔ Colour Temperature: 5500K
- ✔ Light Intensity (Lux):High 30,000; Low 8,000



- ✔ Free Movement as a result of 3rd axis
- ✔ Low Energy Consumption <20w
- ✔ No Fan, less noise and improved working conditions
- ✔ Low Heat Production
- ✔ LED life expectancy is about 50,000 hours
- ✔ Patented Colour Temperature Adjustment
- ✔ 3 Modes (Cure Safe Mode, Surgical Procedures, Colour Matching Mode)
- ✔ Made in Italy
- ✔ Colour Temperature: 4200- 6000 K (5 Adjustable Steps)
- ✔ Light Intensity (Lux):High 35,000; Low 8,000 (5 Adjustable Steps)
- ✔ CRI (Colour Rendering Index) : >90%



**Anti-polymerisation Mode**  
3000 K, minimises blue emission,  
reducing the compound  
curing speed;



**Colour Matching Mode**  
5500 K, creates a combination of cool and  
warm LEDs that maximises the colour  
rendering index, facilitating the dentist's  
choices during tooth replacement operations.



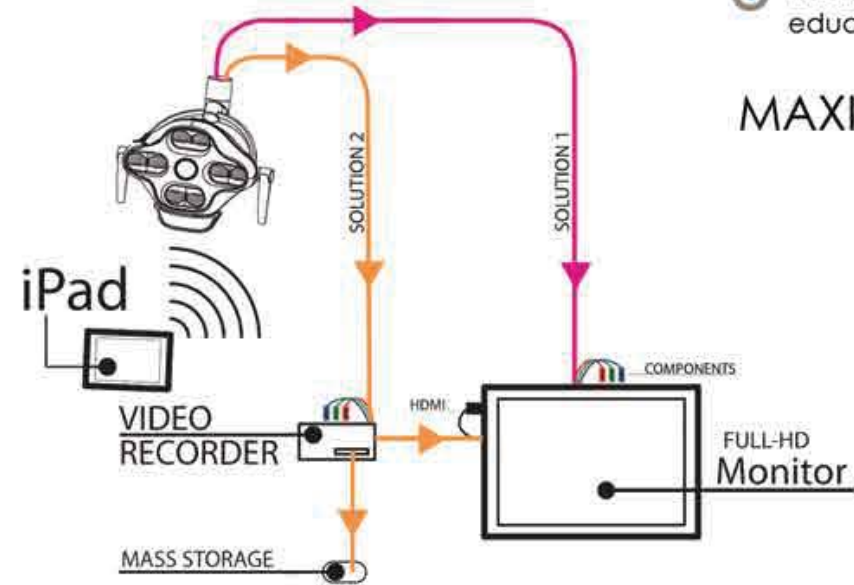
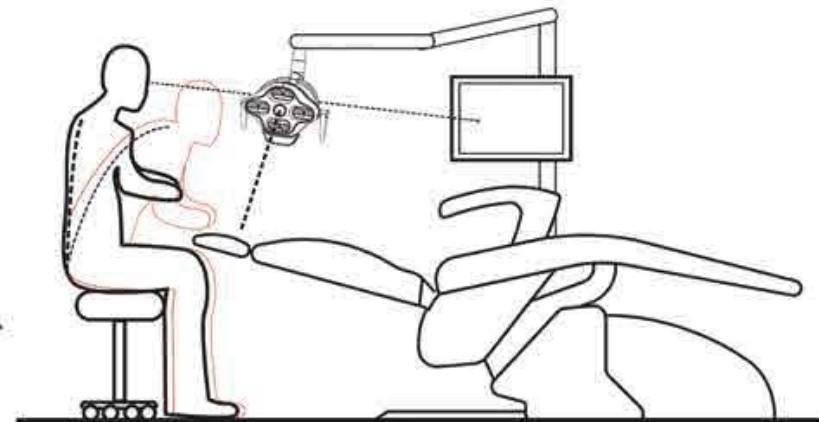
**Surgical Mode**  
4500 K, optimises the colour  
contrast on the soft tissues, better  
distinguishing the shades of the  
gums, blood and periodontium;



## STANDARD FEATURES

- ✓ Full HD (1920 x 1080px) Camera with 30x Optical Zoom
- ✓ Built in WiFi control for light and camera through an iPad App- My Light
- ✓ Freeze Frame and Recording Capability
- ✓ Provides a detailed image of the operating area
- ✓ Improves ergonomics with indirect dentistry and reduces strain on back, shoulder and spinal cord
- ✓ Relieves eye strain by allowing the camera to focus in on a specific area
- ✓ Allows the multimedia documentation of procedures in high definition
- ✓ Live streaming capabilities, excellent for conferences, teaching schools hospitals and university lectures
- ✓ Improves and facilitates better communication with patient
- ✓ Allows better communication during diagnosis and allows better education for patient by providing real-time video streaming

## MAXIMUM LIGHT QUALITY



MORE **ERGONOMIC** LESS STRESS

RECORD, **DOCUMENT**, SHARE

## SINGLE LED TRACK LIGHT

Model: TL-1005T (Torch LED)  
Model: TL-1005I (IRIS LED)  
Model: TL-1005GIV (iView)



## DUAL TRACK LIGHT

Model: TL-1006T (Torch LED)  
Model: TL-1006I (IRIS LED)  
Model: TL-1006GIV (iView)



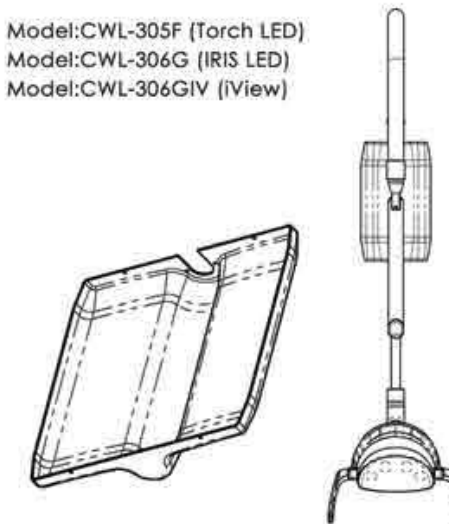
## CHAIR MOUNTED LIGHT



Model: LL-306G - IRIS  
Model: LL-305F - Torch  
Model: LL-306GIV - (iView)

## WALL/CABINET MOUNTED LIGHT

Model: CWL-305F (Torch LED)  
Model: CWL-306G (IRIS LED)  
Model: CWL-306GIV (iView)



## CEILING MOUNTED LIGHT

Model: CL-306G - IRIS  
Model: CL-305F - Torch  
Model: CL-306GIV - iView



# CURING LIGHTS

# ACCESSORIES



## XLITE 2

### Xlite 2 Technical Specifications

Wavelength Range	385-515 nm
Light Performance	1,700 mW/cm <sup>2</sup> ±20%

### Features

- 1,700 mw/cm<sup>2</sup>
- 385-515nm wavelength
- 5w LED Module
- Advanced Battery Technology
- Lithium Ion Battery – 3.7Vdc
- Full Charge can Last 30 minutes of Use
- 330° degree swivel head
- Lightweight Ergonomic Design

## X-CURE

### X-Cure Technical Specifications

Wavelength Range	385-515nm
Light Performance	1000mW/cm <sup>2</sup> - 1200mW/cm <sup>2</sup>

### Features

- Wireless Battery can be Replaced
- Three Working Modes: Full Ramping and Pulsing
- Time Settings: 5, 10, 15, 20s
- 400 times of continuous use at 10s each
- Low standby power consumption
- Ergonomic handle and head design
- Extra Battery Included



## MAGNETOSTRICTIVE SCALER



### Features

- Dual Frequency Ultrasonic System: Accepts both 25 and 30K Inserts
- Automatically adjusts to 25 or 30k
- Turbo Function controlled by a 2-position foot switch to provide extra power to remove heavy calculus
- Detachable Autoclavable Handpiece Sleeve
- Individual Water Control
- Power Control

## BUILT- IN PIEZO SCALERS



### N6LED-1902

- Easy & Compact to Install in Any Delivery Unit
- Piezo Technology
- LED Illumination
- Microcomputer control and Automatic Frequency Tracking
- Compatible with EMS Tips

## BUILT IN ELECTRIC MOTOR

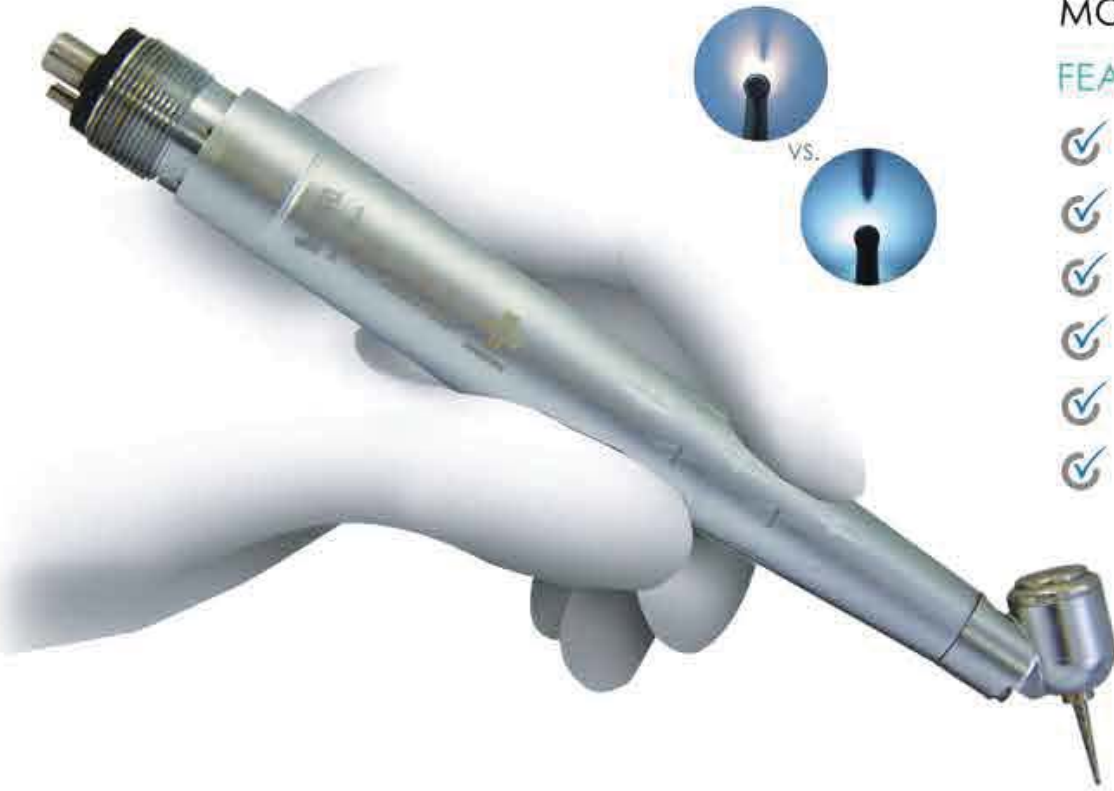


**Bien Air**  
Dental

### MX2 LED Micro-Series

Type	Brushless, with internal spray
Max Torque	3.5 N
Speed Range	100-40,000 rpm
Weight	94 gr

## SELF-GENERATED LED SURGICAL HANDPIECES



MODEL: F-160

### FEATURES

- ✓ 350,000 RPM
- ✓ Single Water Spray
- ✓ Rear Exhaust Air
- ✓ 25,000 Lux LED Light – Self Generating
- ✓ 4 Hole Midwest Connection
- ✓ 21W Torque

# HIGH SPEED HANDPIECES



## FIBER OPTIC HIGHSPEED HANDPIECE



## NON-FIBER OPTIC HIGHSPEED HANDPIECE



**STANDARD HEAD**  
MODEL: F-164

- ✓ >370,000 RPM
- ✓ Standard head ø11.2mm
- ✓ <70db
- ✓ Economical and Reliable
- ✓ Single Water Spray
- ✓ 19W Torque

### TORQUE HEAD MODEL: F-170KT



- ✓ 320,000 RPM
- ✓ Torque Head ø13.0mm
- ✓ Triple Water Spray
- ✓ 23W Torque
- ✓ Kavo Style

### STANDARD HEAD MODEL: F-170K



- ✓ 320,000 RPM
- ✓ Torque Head ø12.0mm
- ✓ Triple Water Spray
- ✓ 21W Torque
- ✓ Kavo Style

# STORM COUPLER

## SELF GENERATING LED LIGHT

QC-165K



✓ Self contained LED Generating Coupler

✓ No Need for any Electrical Connection or Fiber Optic Box

✓ 4 Hole Midwest Connection



4 HOLE  
KAVO COUPLER  
NO LIGHT  
QC-164K



6 HOLE  
KAVO MULTIFLEX  
COUPLER  
WITH LIGHT  
QC-170K

# SLOW SPEED HANDPIECE COLLECTION

## EXTERNAL WATER - NSK COMPATIBLE



## INTERNAL WATER SPRAY - KAVO COMPATIBLE



# AUTOMATIC HANDPIECE MAINTENANCE SYSTEM

## ACCOMMODATES ALL BRANDS OF HANDPIECES

All brands of E-Type low speed handpieces connect directly to the coupling supplied. The highspeed handpiece connects directly to a 4-hole connection or a quick disconnect coupler can be installed.



### Model: HPL-3001

1 Low Speed Connection and  
2 Highspeed Connections

### Model: HPL-3002

2 Low Speed Connections  
and 1 Highspeed Connection

## FEATURES

- ✓ 2 High speed Connections
- ✓ 1 Low speed Connection
- ✓ Easy Fill Oil Reservoir
- ✓ Clean and mess-free oil sponge
- ✓ Compressed Air Input with Easy connection
- ✓ Individual programmed Cycles that provides thorough cleaning and lubrication
- ✓ Easily detachable door for easy cleaning

## PROGRAMMED CYCLES

**S:** Short Cycle for High Speed Handpieces  
(Lubricating and Cleaning Time: 35 seconds)

**L:** Long Cycle for Low Speed Handpieces  
(Lubricating and Cleaning Time: 45 seconds)

**E:** Extra Long Cycle for Speed Reduction  
Handpieces (Lubricating and Cleaning Time:  
50 seconds)



## EASY TO CLEAN

The front door can be completely removed to allow fast, easy cleaning of the system



## OIL RESERVOIR

The oil reservoir has a 500ml capacity, reducing the need for frequent refilling. The clean easy to use fill tank also has an oil level indicator to allow the user to see when to add more oil.

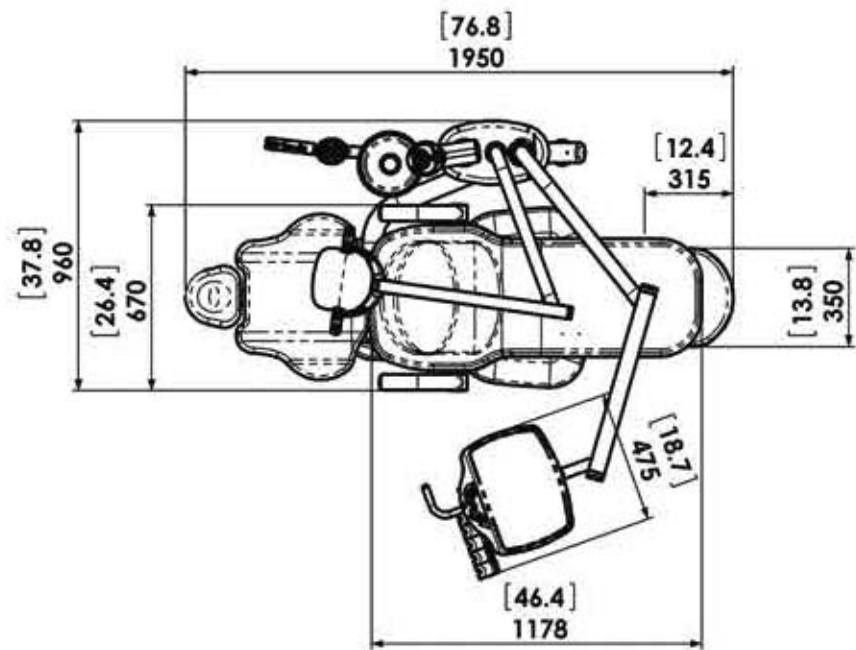
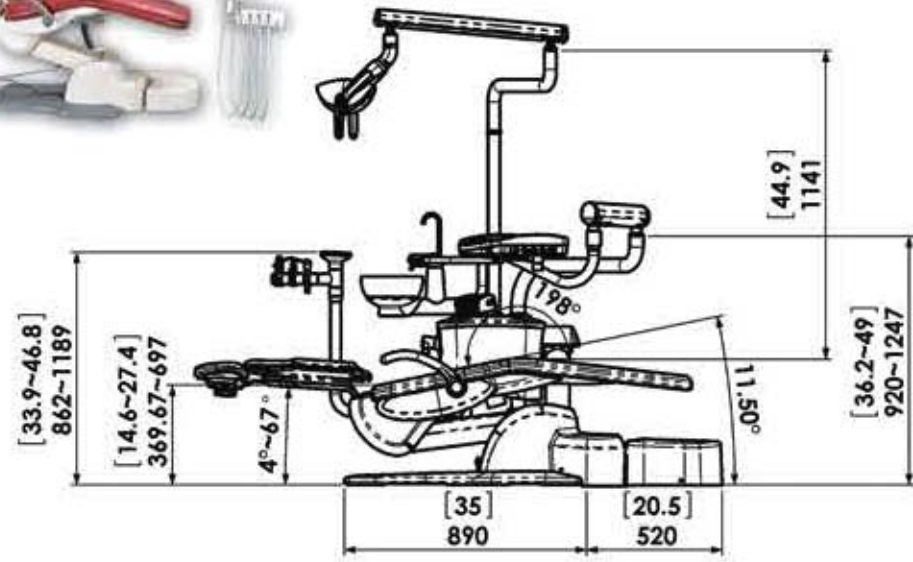
## Technical Specifications

Rated Voltage	AC120V +/-10% 60Hz
Input Voltage	120V: 19VA
Air Pressure	0.35-0.6MPa - (50-85psi)
Dimensions	W 280mm x D275mm x H 360mm W 11" x D10.8" x H 14.2"
Weight	6.8kg or 15lbs

# CHAIR DIAGRAMS & DIMENSIONS

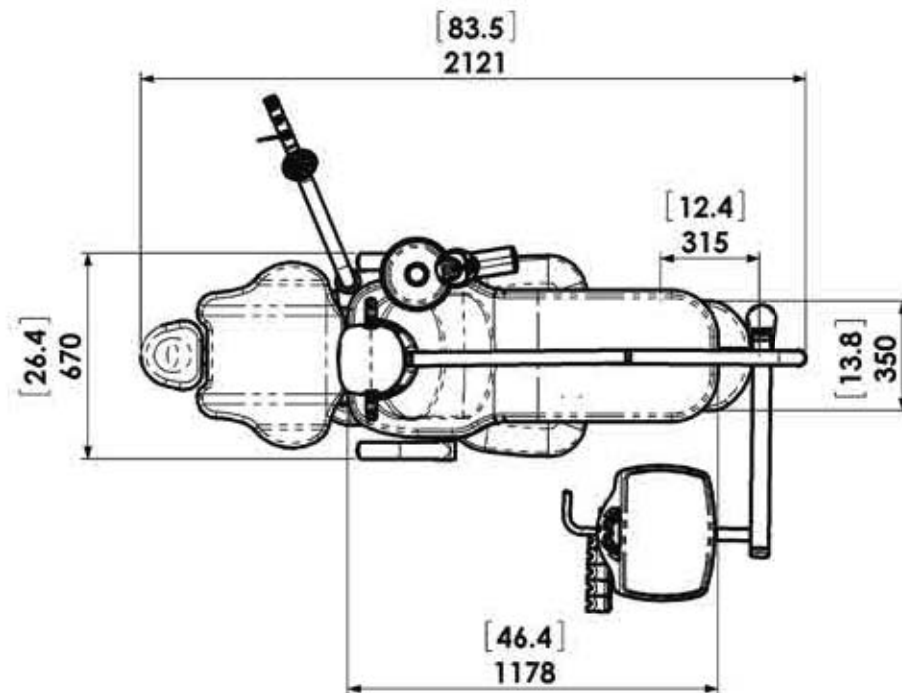
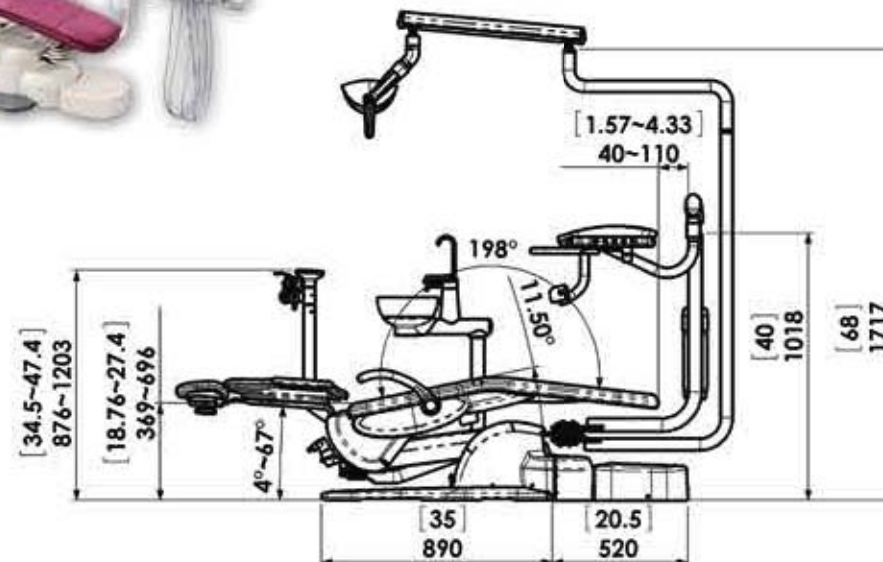
## A6 STANDARD

### STANDARD DIAGRAM



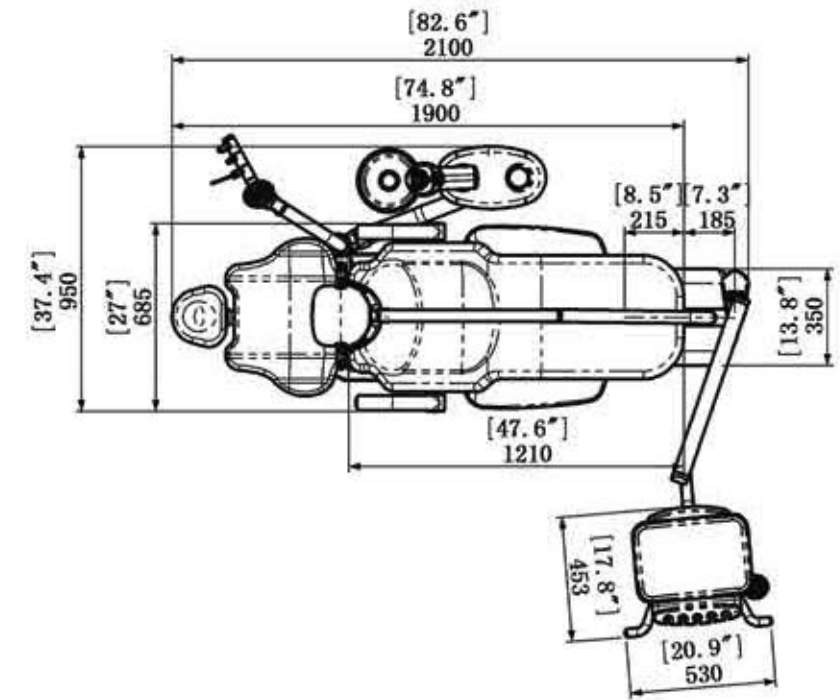
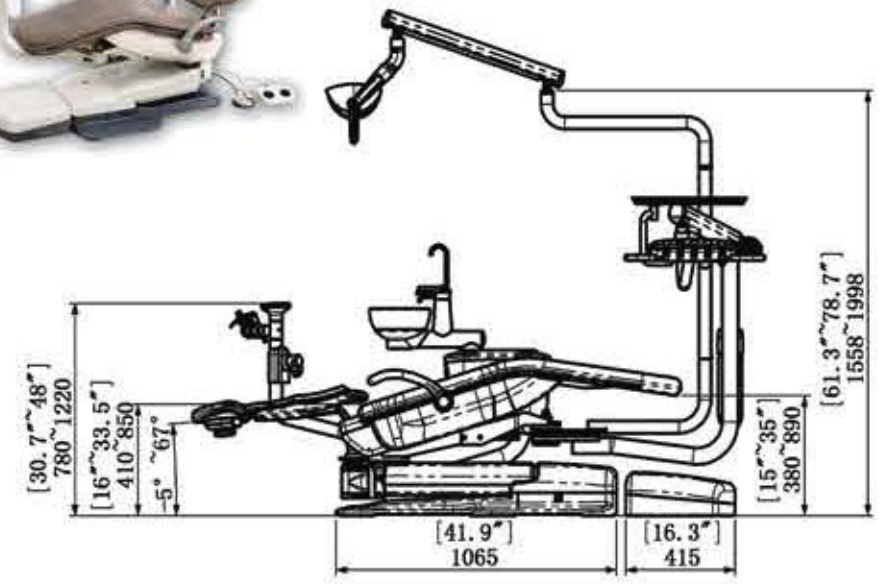
## A6 RADIUS

### STANDARD DIAGRAM



## A12 RADIUS

### STANDARD DIAGRAM



# STOOLS



## DELUXE DOCTOR STOOL

### Dimensions:

Backrest Vertical Adjustment Range	0~ 4.7"(12cm)
Seat Width	17"(43.18cm)
Seat Height Ranges	20"-25.5"(51-68cm)
5 Leg Base Diameter	24"(61cm)



## DELUXE ASSISTANT STOOL

### Dimensions:

Abdominal Vertical Adjustment Range:	0~3.1"(8cm)
Seat Width	18"(45.7cm)
Seat Height Ranges	22"-27.5"(56-70cm)
5 Leg Base Diameter	24"(61cm)



## SADDLE STOOL

### Dimensions:

Seat Height	21.6" to 29.5" (55-75cm)
Base Diameter	18.9" (48cm)
Seat Depth	14" (35.5cm)
Seat Width	17.1" (45.3cm)



## SPLIT-SADDLE STOOL

### Dimensions:

Seat Height	21.6" to 29.5" (55-75cm)
Base Diameter	18.9" (48cm)
Seat Depth	14" (35.5cm)
Seat Width	17.1" (45.3cm)

# COLOURS

Standard Plush Seamless and Sewn Upholstery



L12 Black



L13 Light Gray



L14 Stone



L15 Honesty



L16 Red



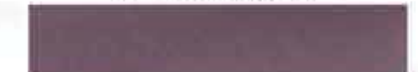
L22 Valley



L24 Chaps



L27 Marmalade



L28 Woodviolet

Ultraleather Sewn Upholstery U - Series



U01 Taupe



U03 Walnut

\*Custom Colours Available for Both Ultraleather and Plush – Upcharge



FLIGHT DENTAL SYETEMS - First Class has Never been so Affordable!





**21 Kenview Blvd. Unit 9, Brampton, ON Canada L6T 5G7**

**Phone : 905-799-0517 Toll Free : 1-866-799-0517**

**Fax : 1-905-793-2406**

**[www.flightdentalsystems.com](http://www.flightdentalsystems.com)**