

# Innovate with *Premier® Dental*

*The name you know, the quality you expect*



---

Composite Placement, Finishing & Polishing Products & Techniques

## Slix™ Composite Manipulation Instruments



Nonstick - Durable – Ergonomic - Autoclavable

The tips are treated with a revolutionary protective coating that provides superior nonstick properties and a lustrous surface for long lasting esthetic appearance. No more composite sticking; dentists appreciate the easy placement and fast clean-up! The ergonomic handles are manufactured from an advance technology polymer with medical-grade silicone grips. "Surprisingly light"-only 16g - on the largest available handle (1/2" (1.27 cm) diameter) to reduce hand fatigue.



IPC • 05702



Mini IPC • 05708



11 • 05700



Mini 11 • 05706



13 • 05701



21B Acorn • 05707



[www.premusa.com](http://www.premusa.com)



New innovative coating provides long-lasting tack-free composite manipulation!



Ladmore 3 • 05703



Woodson 2 • 05704



W3 • 05705



Mini W3 • 05709



Mini S1 • 05710

The anodized aluminum and nonstick coating, PTFE, on the CCI and CMI instruments provides exceptional lubricity to virtually eliminate composite sticking. The PTFE coating also offers the instruments greater protection against harsh solutions. The black coating does not abrade to discolor the restoration. Safely autoclavable.

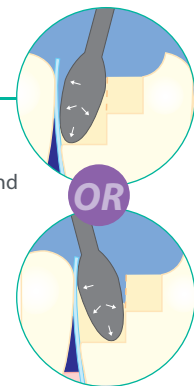
## Composite Contact Instruments (CCI)

Establish Positive Contacts As You Light-Cure

### CCI Technique Tip

After placing composite into box, insert instrument tip into the composite, torque into position and apply gentle pressure to adjacent tooth for desired positive contact. Light-cure composite, making sure composite is not overfilled to lock in instrument.

As recommended by Dr. Brian Wilk.

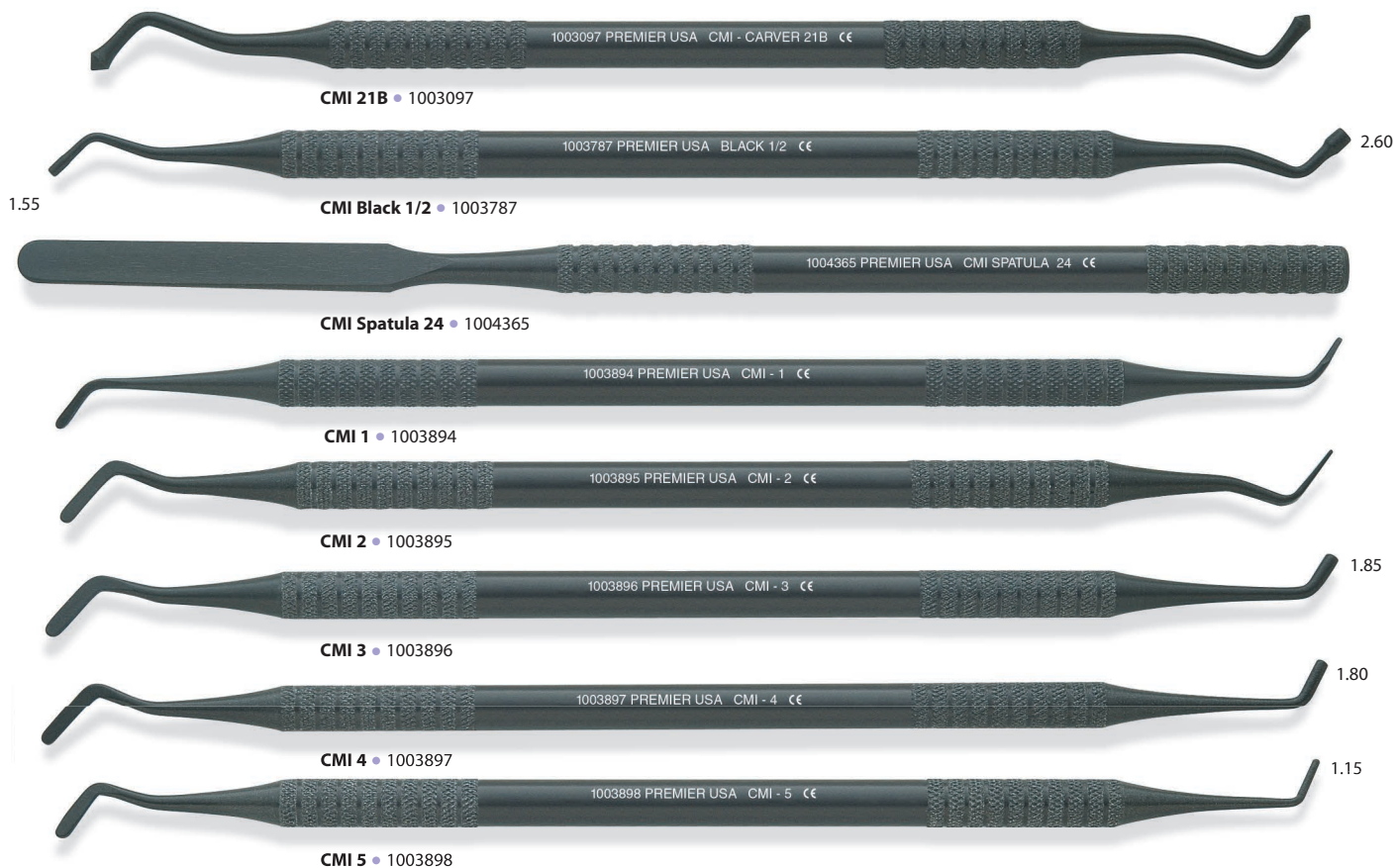
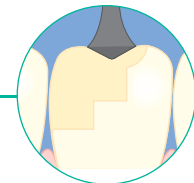


## Composite Manipulation Instruments (CMI)\*

Easy Placement of Composite into All Areas Without Sticking or Discoloration

### CMI Technique Tip

Acorn Carver (21B) is helpful in establishing anatomical contours, prior to carving.



### Cleaning/Sterilizing Tips

- Do not mix unlike metals in the same bag.
- Simply wipe off CMIs - do not expose to solutions with pH above 8 or containing iodophors.

Tip diameter measurements in millimeters.  
\* CMI Instruments, Townie Choice Awards, 2003.

## Composite Instruments

For Carrying, Condensing and Carving



Flexible White Plastic • Sterilizable to 285°F (140°C)

Neos 425-1 • 9061306



Neos 425-2 • 9061308



Neos 425-3 • 9061310



Neos 425-4 • 9061312



Neos 425-5 • 9061314



Anterior - (Set of 5) • 9061301

## Interproximal Carvers

For Proximal Restorations



### IPC Carver Technique Tip

Dip in bonding agent to avoid composite sticking.

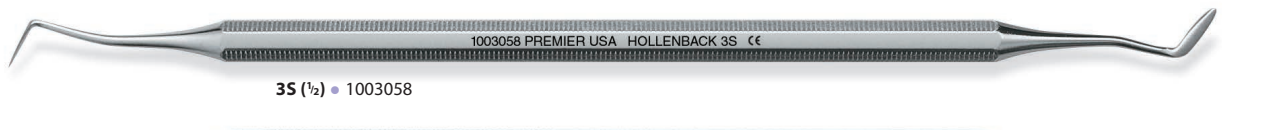
Thin, flexible blades allow for easy placement and shaping.



IPC • 1003092



IPC - A (Angled) • 1003093



3S (1/2) • 1003058



Shooshan A • 1003061

## Amalgam Guns

Easily Place Restoratives



Universal Carriers are unique placement instruments with a sleek design.

They enable the operator to transport and place amalgam while minimizing finger fatigue.

Sterilizable up to 134°C (273°F).

Tip diameter measurements in millimeters.



Universal Carrier  
Mini-tip Right Angle • 9062030

1.25



Universal Carrier  
Right Angle • 9062006

2.30



Universal Carrier  
Straight • 9062001

2.30

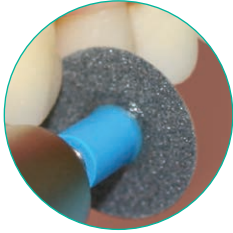


www.premusa.com

**Poli-Pro Disks™**  
Composite Polishing System

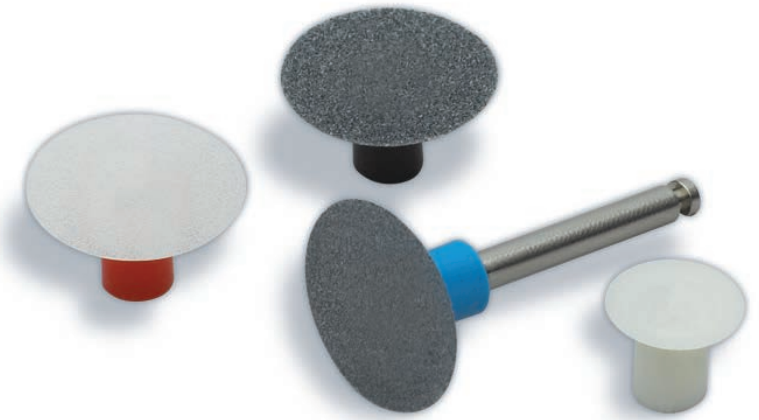


- Safe-Center - protects composite surface
- Faster - complete abrasive coverage of disk surface
- Thin and flexible - conforms to tooth anatomy
- Systematic finishing and polishing - single-use color-coded disks
- Two sizes -1/2" for greater efficiency, 5/16" for control in gingival areas



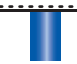


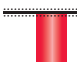

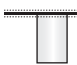
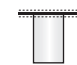





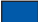



**Safe-centered**

Faster than metal-centered disks!



All refill packs contain 40 disks.

 <p>1/2" Coarse (12mm) Refill #2019071</p>	 <p>5/16" Coarse (8mm) Refill #2019072</p>	 <p>1/2" Medium (12mm) Refill #2019073</p>	 <p>1/2" Medium (12mm) Refill #2019074</p>	 <p>5/16" Medium (8mm) Refill #2019075</p>
 <p>1/2" Fine (12mm) Refill #2019076</p>	 <p>5/16" Fine (8mm) Refill #2019077</p>	 <p>1/2" Extra-Fine (12mm) Refill #2019078</p>	 <p>5/16" Extra-Fine (8mm) Refill #2019079</p>	 RA Mandrels (4/pack) Refill #2019090
 <b>Coarse</b> - 80 microns (grit up)	 <b>Medium</b> - 40 microns (grit down)	 <b>Extra-Fine</b> - 9 microns (grit both sides)		 FG Mandrels (4/pack) Refill #2019091
 <b>Medium</b> - 40 microns (grit up)	 <b>Fine</b> - 30 microns (grit both sides)			



**2019070** Intro Kit contains: 1  
80 disks, 4 mandrels.

**2019099** Starter Kit contains:  
35 disks, 1 mandrel.



www.premusa.com

# LUMINESCENCE®

Single-Gel Diamond Polishing

## Polish all surfaces in half the time!

**Luminescence** is a patented, single-gel diamond polishing system. In less than two minutes, you can polish the surface of all restorative materials: composite, glass ionomer, compomer, amalgam, precious metal and enamel. Even porcelain achieves a lustrous surface in only minutes due to the optimal concentration of micron-sized diamond particles.



**2014200** Luminescence Intro Kit  
(3g syringe of Luminescence gel,  
2 RA Mandrels, 50 applicators)

**2014202** Luminescence Gel (3g)

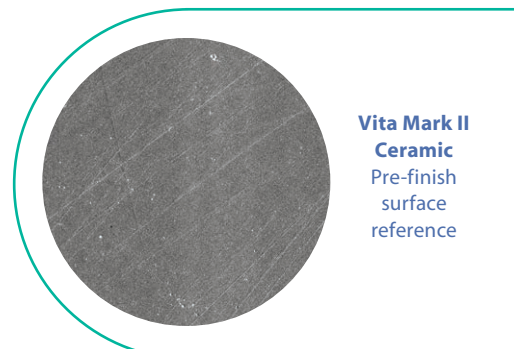
**2014204** RA Mandrels (2)

**2014206** Applicators (50)



## “Optimum Polishing results on the CAD/CAM Vita Mark II ceramic.”<sup>1</sup>

“Adjustment finishing with a Two Striper MF2 or MF3 alone, or as a final finishing stage after using a more coarse finishing diamond, followed by a 60-second polishing sequence with Luminescence diamond gel, was an effective procedure for optimum polishing results on the CAD-CAM Vita Mark II ceramic.”



**Vita Mark II Ceramic**  
Pre-finish surface reference



**Vita Mark II**  
Final surface appearance after MF2 Diamond finish and Luminescence application

# LUMINESCENCE PLUS!

Diamond Polishing Paste for Patient Comfort + All-Surface Esthetics



- **All-Surface Polishing**  
composite + porcelain + enamel + glass ionomer + precious metals + amalgam
- **Single-Grit/Single-Step Paste** - saves chair-time
- **Increase Patient Comfort** - contains potassium nitrate topical desensitizer
- **Convenient** - screw-tube dispenser + improved viscosity eliminates waste

**2014208** Luminescence Plus!<sup>SM</sup> Gel (3g)  
(Not available in Canada)



1. American J. Dentistry, Feb. 2000. Post adjustment polishing of CAD/Cam ceramic with Luminescence Diamond Gel. W.J. Finger.

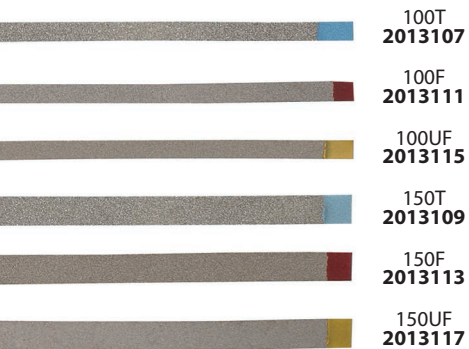
## Compo-Strip®

Hand-held Autoclavable Stainless Steel  
Diamond Finishing Instruments

1/2" Uncoated  
Safe-center!



Individual Packages of Six Strips



100T  
**2013107**

100F  
**2013111**

100UF  
**2013115**

150T  
**2013109**

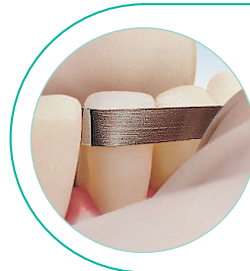
150F  
**2013113**

150UF  
**2013117**



Compo-Strip® diamond discs are thin, flexible, one-sided diamond abrasive strips available in two widths and three grits. They have an uncoated safe center for easy access through the contact point and are ideal for finishing Class III, IV and veneer restorations.

**2013127** Package of Six Assorted Strips



### Compo-Strip® 200T2

For Orthodontic Reproximation

Simultaneously strip away enamel from adjacent proximal surfaces. Flexible, Double-sided with Safe Center  
Length: 15.25mm • Width: 4mm • Grit: 60µ

**2013180** Compo-Strip 200T2 (Ortho) (Pkg. of 3 strips)

Length	Width		Grit	Thickness
15.25mm	100	2.5mm	T = 60µ	0.15mm
	150	3.75mm	F = 45µ	0.127mm
			UF = 20µ	0.1mm

## Compo-Disc®

Hand-Held Autoclavable Diamond Finishing Instruments

For extremely tight contacts, use a Compo-Disc® to gain access. Safe-sided, edge and face-cutting.

Thickness	Diameter	Grit
0.1mm	22.2mm	35µ - 45µ

**2013106** Compo-Discs (Pkg. of 2 discs)





## MFS® Finishing Diamonds

Available in 5-packs only.

**MF1** (45μ)

**MF2** (20μ)

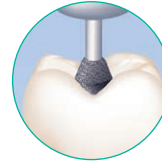
**MF3** (10μ)

MFS® Finishing Diamonds	135	201	257	265	285	292	799
<b>MF1</b> (45μ)	2015850	2015853	2015856	2015859	2015862	2015865	2015868
<b>MF2</b> (20μ)	2015851	2015854	2015857	2015860	2015863	2015866	2015869
<b>MF3</b> (10μ)	2015852	2015855	2015858	2015861	2015864	2015867	2015870
Minor/Major Diameter	2.4	0.2/0.6	1.2/1.8	0.3/1.2	2.0	1.4	0.5/1.6



## Composite Anatomy Finishing

Available in 5-packs only.



Scooter™	0	1	2
<b>Medium</b>	<b>T0</b> - 2015188	<b>T1</b> - 2015190	<b>T2</b> - 2015192
<b>Very Fine</b>	<b>F0</b> - 2015189	<b>F1</b> - 2015191	<b>F2</b> - 2015193
Minor/Major Diameter	2.3	2.8	3.0
Reference #	905-023	905-028	905-031

© Two Striper, Luminescence and MFS are registered trademarks and ™ Luminescence Plus and Scooter are trademarks of Abrasive Technology, Inc. / U.S. Patent 5, 511, 718

## CAD/CAM Laboratory Finishing Kit

Ceramic Adjustment

Packaged in Anodized Aluminum Lab Bur Block

2013552 **Two Striper CAD/CAM Finishing Kit**

### Adjust



<b>Flame</b>	<b>X769.10</b>
<b>Fine</b> (1/pkg.)	2012730

### Contour



<b>Round-End Taper</b>	<b>X590.12</b>
<b>Medium</b> (1/pkg.)	2012681

### Remove Sprue



<b>Thin-flex® Disc</b>	<b>X929-7</b>
Double-sided (1/pkg.)	2012657

### Carve Occlusal Anatomy



<b>Tri-Fissure Carbide</b>	
(5/pkg.)	9050655

### Stiff Bristle Brush



<b>#11</b>	No item number.
	Available in kit only.

### Miniature Muslin Buff



<b>16 ply x 1"</b>	No item number.
	Available in kit only.



# #1

## Top performing diamond to adjust, remove or access all-ceramic restorations!

**Recommended for  
Zirconia and  
Lithium Disilicate**

# TSZTECH™



Highest rated all-ceramic cutting especially effective on today's new generation of tougher ceramic materials.

Those materials include but are not limited to IPS e.max®, BruxZir®, Lava™ Plus, Cercon®, Zirlux® FC, IPS Empress, Procera® and Lava™ Ultimate.



**Learn More About  
Crown Removal**

Scan the QR Code or search  
"TSZtech" on YouTube.



### Intra-oral Adjustments



285.5Z **Football**

### Atraumatic Crown and Bridge Removal



770.8Z **Round-End Taper**  
Section and Remove

### Endodontic Access



125Z **Round**

2015895 **TSZtech™ Diamond Assorted 5-pack**  
(260.8Z, 285.5Z, 703.8KRZ, 125Z, 770.8Z)



5-pack Reorder Item Numbers:



**260.8Z**  
2015893  
Minor/Major  
Diameter  
0.3 / 1.3



**285.5Z**  
2015891  
Minor/Major  
Diameter  
2.2



**703.8KRZ**  
2015894  
Minor/Major  
Diameter  
1.1 / 1.8



**125Z**  
2015892  
Minor/Major  
Diameter  
1.7



**770.8Z**  
2015890  
Minor/Major  
Diameter  
1.2 / 1.7

**"L" - 1.5mm Longer Shank**  
Available in 5-packs:



**L260.8Z**  
2015883  
Minor/Major  
Diameter  
0.3 / 1.3



**L125Z**  
2015882  
Minor/Major  
Diameter  
1.7



**L770.8Z**  
2015880  
Minor/Major  
Diameter  
1.2 / 1.7



**X590.12Z**  
2012847  
Minor/Major  
Diameter  
1.2



**X769.10Z**  
2012845  
Minor/Major  
Diameter  
0.7 / 1.8

**Laboratory Diamonds**  
Available one per pack:



www.premusa.com

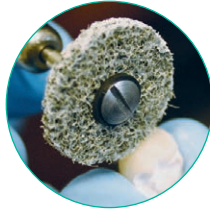
# Faster! Super-Charged Diamond Polishing!

Single-paste System for Ceramics and Composites

Recommended for  
Zirconia & Lithium Disilicate

## Diamond Twist SCL™

Extra-Oral Polishing Kit



Glaze-like, multi-surface polishing - featuring advance open-weave fibra pre-polishers and 100% wool paste applicators - for a super-charged mirror polish

- Pre-polish with Fibra Points (barrel, wheel or taper); open-weave design generates significantly less heat.
- Final polish with Diamond Twist Super-Charged Polishing Paste applied with felt barrel, wheel or point for a glaze-like polish.



### 2019000

Diamond Twist SCL™ Kit

Products below shown 75% of actual size.



### 2019001

6g Diamond Twist SCL Polishing Paste (unflavored)

### 2019032

Fibra Wheel, Thin (6/pack)



### 2019021

Felt Wheel, Thin (10/pack)



### 2019033

Fibra Wheel, Thick (4/pack)



### 2019020

Felt Wheel, Thick (5/pack)



### 2019031

Fibra Point, Taper



### 2019022

Felt Point



### 2019030

Fibra Point, Barrel



### 2019023

Felt Barrel



### 2019051

SurGrip Mandrel



### 2019050

Standard Mandrel



## Diamond Twist SCO™

Intra-Oral Polishing Kit



After permanent seating and adjustments, polish crowns, inlays, onlays and nano-hybrid composites intra-orally in one easy step using Diamond Twist Super-Charged Polishing Paste.

- Use the flat or taper polishing brushes (autoclavable) for posterior occlusal surfaces.
- Use the Micro-cloth disks for polishing and final high-gloss buffing.
- Twist syringe avoids cross-contamination and dispenses just the right amount.



### 2019002

Diamond Twist SCO™ Kit

Products below shown 75% of actual size.



### 2019003

3g Diamond Twist SCO Polishing Paste (mint flavored)

### 2019005

Tapered Polishing Brushes (25/pack)



### 2019004

Flat Polishing Brushes (25/pack)



### 2019091

FG Mandrels (4/pack) not included in kit



### 2019090

RA Mandrels (4/pack)



### 2019060

1/2" Micro-Cloth Disks Dark Blue (25/pack)



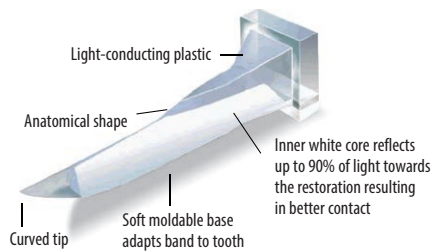
### 2019061

5/16" Micro-Cloth Disks Light Blue (25/pack)



## Cure-Thru® Reflective Curing Wedges

Clear, Anatomically-shaped Wedges



**9061216** Intro System  
Contains: 100 Assorted Wedges,  
60 Blue Cure-Thru® Premolar,  
and Molar Matrix Bands

**9061221** Small (100)  
**9061223** Medium (100)  
**9061225** Ultra-Thin (100)

## Cure-Thru® Clear Cervical Matrices

- Flexes to the exact contour of the tooth for dense restorations with excellent marginal integrity
- Compress restorative material as you light-cure
- Helps eliminate air inhibited layer
- Reduces time to final polish



**9061011** Assorted box of 275  
Contains: 50 Anterior/Premolar and  
Molar/Universal, 35 all other shapes,  
positioning instrument, gingival  
retraction instrument

Available in boxes of 150

**9061012** 719CT  
**9061013** 720CT  
**9061014** 721CT  
**9061015** 722CT  
**9061016** 723CT  
**9061017** Anterior/Premolar  
**9061018** Molar/Universal  
**9061340** Positioning Instrument  
double-ended, autoclavable

## Sycamore Wood Wedges

The Original Anatomically Carved



Number designates wedge length in mm (13=13mm)

- Round tip easily passes over gingiva
- Concave sides conform matrix band to tooth's anatomy
- Square end is easily inserted and removed

**Eight color-coded sizes** (400 count)

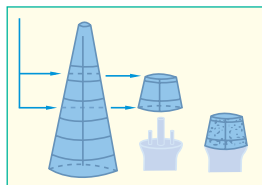
**9061109** Mini (Light Blue)  
**9061106** UT - Ultra Thin (Orange)  
**9061100** 13XT - Extra Thin (Neutral)  
**9061101** 13T (Green)  
**9061102** 13 (Yellow)  
**9061103** 15 (Blue)  
**9061104** 16 (Red)  
**9061105** 17 (Neutral)  
**9061108** Assorted (UT, 13, 13T & 15)

**Wood Wedge Organizer**

**9061115** Six-Compartment Organizer

## ACCOR®

Multi-sized Matrices for Core Build-up



**Easy to use - Versatile - Disposable**

**9048081** Matrices (50)

ACCOR® is a registered trademark of ACCOR Inc.



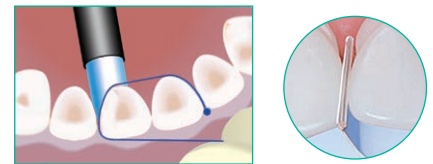
## Stop Strip

Anterior Bands with Integrated Stopper



- Turns a three-handed procedure into a two handed one.
- Light-cure Class III and IV restorations with ease.

**9061370** Assorted, 8mm & 10mm (75 each)  
**9061375** Straight, 10mm (blue) (100 each)  
**9061380** Straight, 8mm (red) (100 each)



Unique integrated stopper secures the matrix band between adjacent teeth.

## Blue Cure-Thru® Matrix Bands

Transparent Contoured Matrices  
0.075mm



- Blue color increases the contrast between the matrix and tooth without compromising polymerization of the composite.
- Thin, yet strong enough to pack against
- Simplifies posterior composite placement

**9061231** Premolar Bands (100)

**9061233** Molar Bands (100)

## Pre-contoured Metal Bands

0.035mm thickness



- Anatomical shape achieves better contact points
- Ideal for large Class II restorations with incremental curing technique
- Finished edges ensure patient comfort

**9061070** Box of 30



Premier® Dental Products Company • 1710 Romano Drive, Plymouth Meeting, PA 19462, USA

Phone: 888-670-6100 • 610-239-6000 • Fax: 610-239-6171 • www.premusa.com • E-mail: dentalinfo@premusa.com