



Flight Dental Systems

Mobile Cart with Compressor

Flight Dental Systems

History

- ▶ Flight Dental Systems is a Canadian owned and managed dental equipment manufacturer and distributor with operations in over 25 countries around the world.
- ▶ Our company was founded on a commitment to deliver high quality products that provide the design, function and durability demanded by today's dental professionals at an affordable price.

Mission

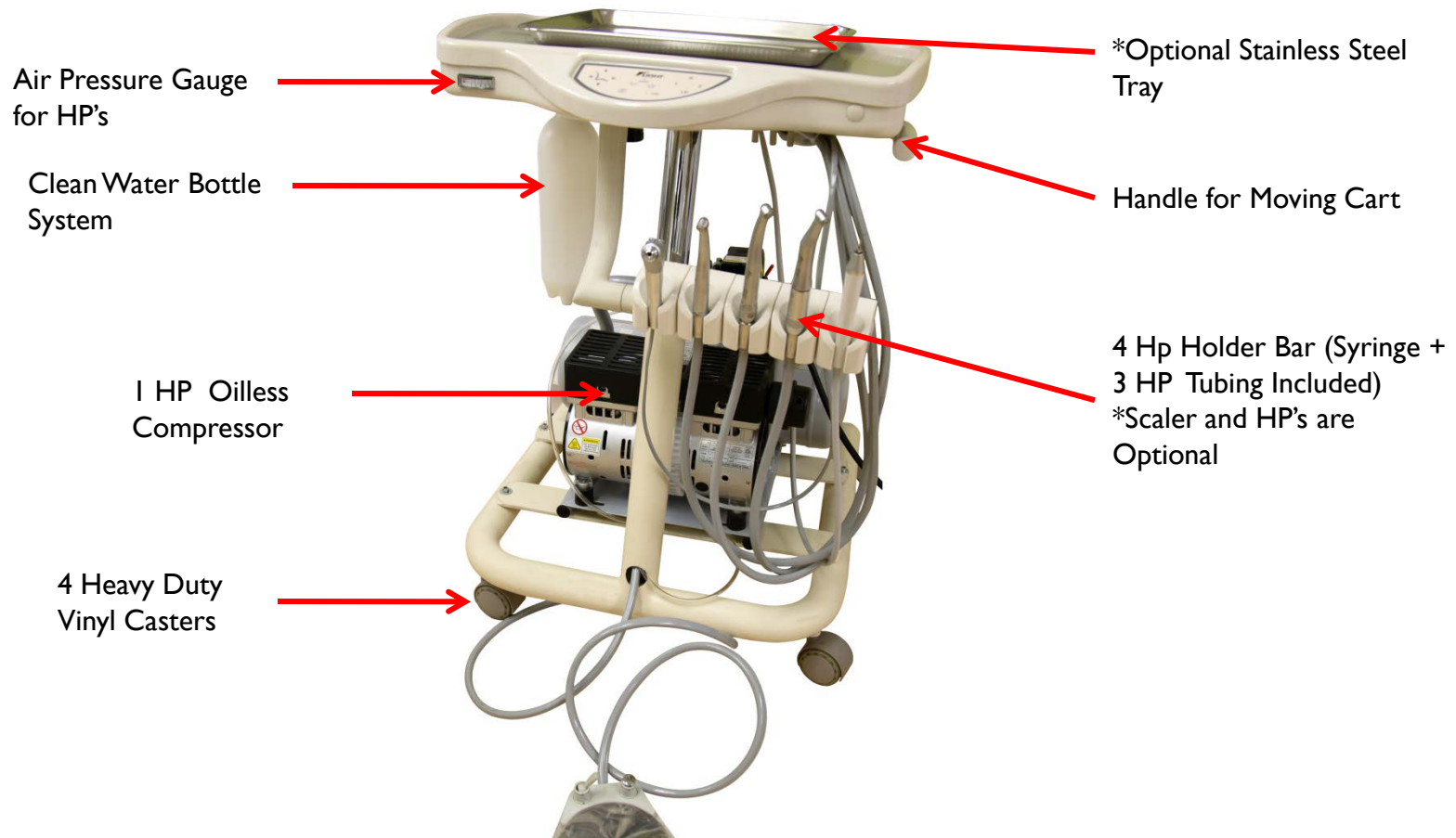
- ▶ To provide our customers with high quality products designed and engineered in Canada at an affordable price. Along with our excellent customer service and expert knowledge of the product from the top to bottom makes for better support for our products globally.
- ▶ Designed to make sit down dentistry even easier and more ergonomic for the operator.

Motto

- ▶ Quality and reliability meets affordability. First Class has never been so affordable.
-



Mobile Cart with Integrated Compressor



Mobile Cart with Integrated Compressor

▶ Features

- ▶ Fully integrated and Portable Mobile Cart Delivery System
- ▶ Clean Water Bottle for Self Contained System
- ▶ 3 HP Tubing for High and Low Speed Handpieces
- ▶ 120V Plug in for Compressor
- ▶ Ultra-Quiet Oilless Compressor – Low maintenance
- ▶ 1 HP Compressor
- ▶ Great for Hygiene, Mobile Clinics, Vet Clinics
- ▶ NO Additional Plumbing Required



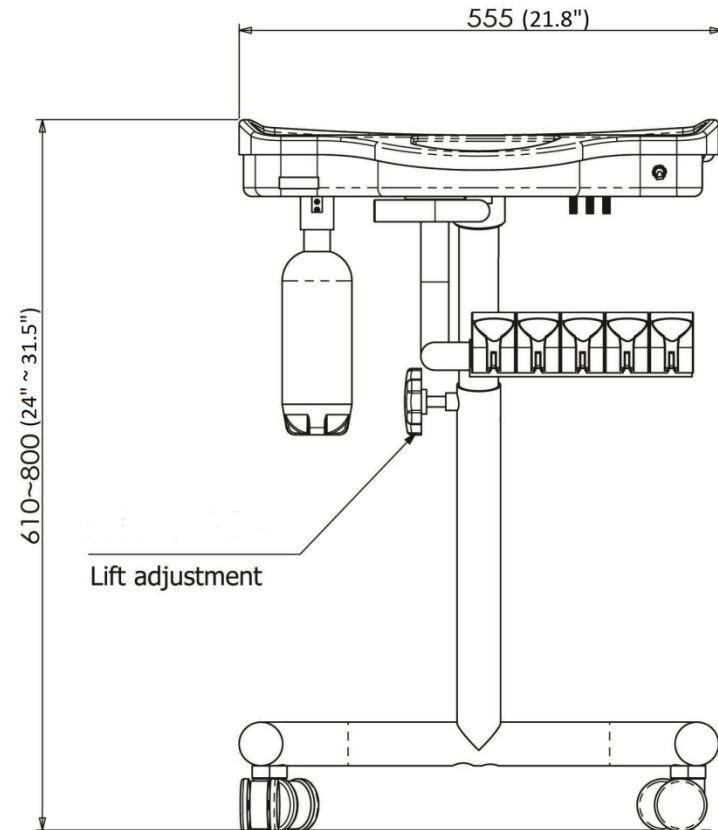
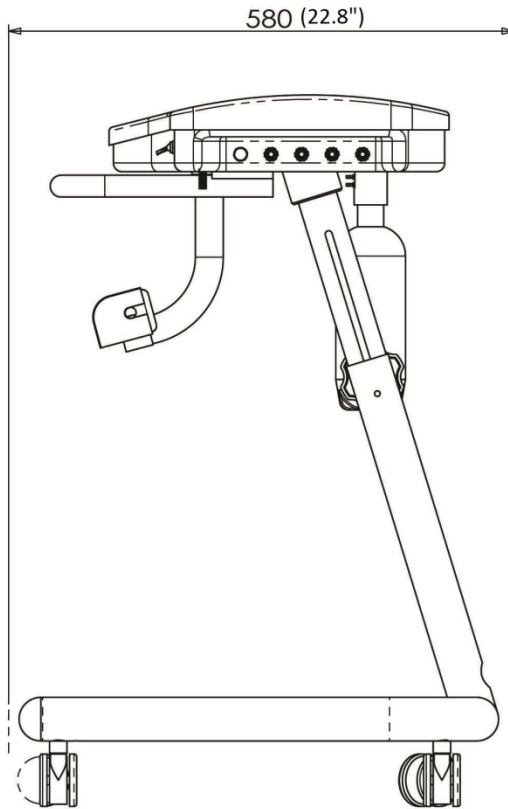
Mobile Cart

Specifications

- ▶ Stable Steel U- Frame Cart
- ▶ Clean beige baked paint excellent for asepsis
- ▶ Adjustable vertical height, 24” to 31.5”
- ▶ Heavy Duty Twin Casters for carpet or hard floor



Mobile Cart



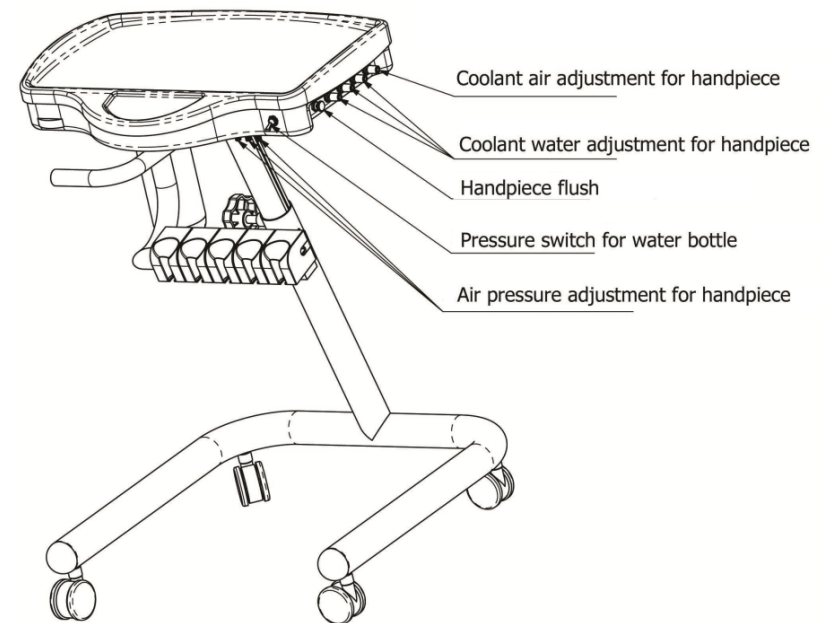
Side Profile and Front Profile

- Height Adjustment Knob and cart Dimensions

Mobile Cart

Delivery System

- Air and water coolant for high speed handpiece
- On/off and flow control for water coolant
- Individual handpiece pressure adjustments
- Variable speed disc-type foot control
- Quick-Clean three-way syringe
- Asepsis style holders
- DCI Compatible Components

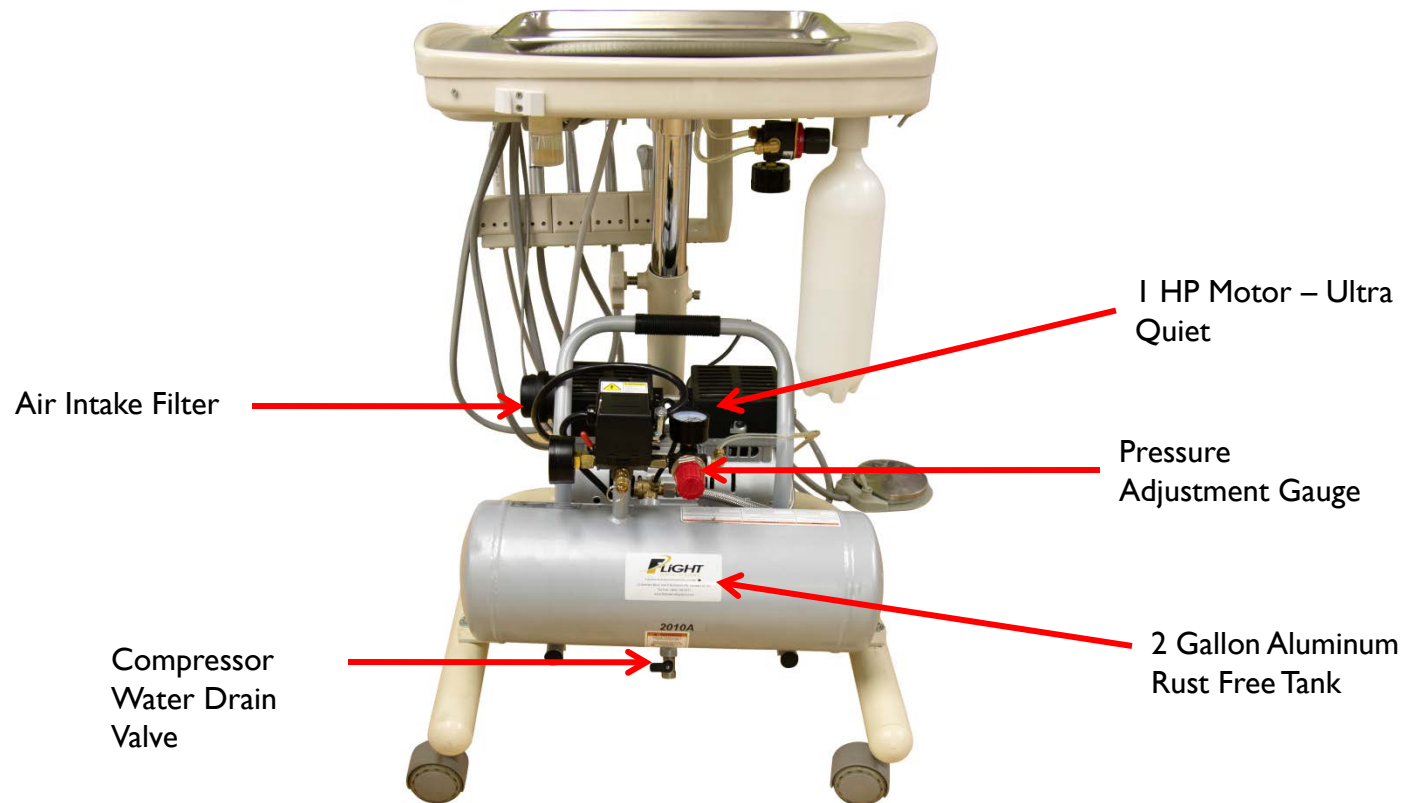


Mobile Cart Delivery System

- ▶ DCI Compatible Components
- ▶ 3 Midwest 4 hole Handpiece tubings
- ▶ 3 Handpiece Block
- ▶ Individually controlled Water Control Blocks
- ▶ All Tubing Made in US
- ▶ Handpiece Tubing- Lt Grey
- ▶ Straight Tubing Only for HP



Compressor for Cart



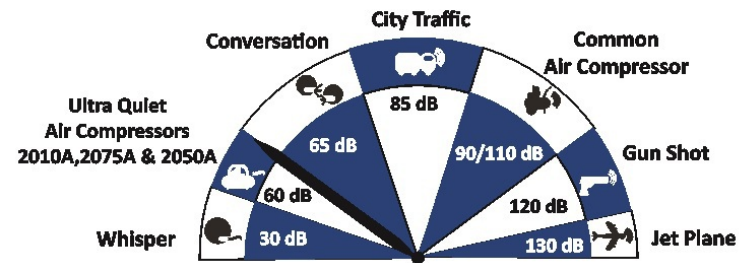
Compressor for Cart

▶ Features

- ▶ Ultra Quiet and Oil-Free Air compressor – Only 60db
- ▶ 1 HP motor operating at 1680 RPM creating less noise and less wear
- ▶ Low Maintenance and cleaner air
- ▶ Thermal Overload Protector
- ▶ Only 50 seconds to fill tank
- ▶ Recovery time from 90psi to 120psi is only 14 seconds
- ▶ Less Heat which dissipates very efficiently
- ▶ Lightweight -35lbs
- ▶ UL Certified



Compressor For Cart



Compressor for Cart

Description	Specification
Noise Level	60db
Tank Size	2.0 Gallon Aluminum Tank (Rust Free)
Motor	1.0HP (Rated/Running – 2.0HP (PEAK))
Maximum Pressure	120psi
CFM	3.10 CFM @ 40 PSI 2.20 CFM @ 90 PSI
Voltage	110v/60Hz
Amps	8.5A
Duty Cycle	70/30
Weight	35lbs
Dimensions	L (18.7") x W/D(14.2") x H (14.75")
Warranty	1 Year



Price Comparison

Manufacturer/Model	Compressor	Vacuum	Accessories	MSRP
Aseptico - AMC 25	Y	N	2 high, 1 low	\$17,318.54
ASI - Triton 2025M	Y	N	3 pneumatic	\$9500.00
Midmark - VetPro 1000	Y	N	Fiber optics and scaler	\$9655.00
Dentaire – Prestige/ Ultimate	Y	N	Scaler and HP	\$7000 – Prestige \$6000 – Ultimate
iM3 - Elite	Y	Air driven suction	1 suction, 1 high, 1 low, 1 air/water	\$6845.00
Highdent Intro	Y	N	1 scaler, 1 high, 1 low, 1 air/water	\$6430.47
DRE TERES V-400	Y	Y	1 scaler, 1 high, 1 low, 1 air/water	\$5384.00

