



Product Catalog

STYLE **FUNCTION** COMFORT

OUR COMPANY

Flight Dental Systems is a Canadian owned and operated dental equipment manufacturer with sales in over 25 countries globally. It is one of the fastest growing dental equipment manufacturers in the industry and its philosophy has always been to produce an innovative product with exceptional design, reliability and quality, at an affordable price. This philosophy is evident throughout the Flight product line, as each item is meticulously designed and engineered to suit the needs and requirements of every practitioner. In addition, Flight Dental Systems continues to improve its products through extensive R&D to provide the best possible product for the best possible price to its customer.

A6 PATIENT CHAIR

STANDARD FEATURES



DESIGNED & ENGINEERED IN CANADA

Designed and Engineered in Canada according to the highest ISO 13485:2016 Standards. Perfect form and function to ensure the operator achieves the best ergonomics to achieve the best results while providing the patient the most comfortable stress-free experience.



ERGONOMIC DESIGN

Thin Backrest and Seatrest allows better access to the oral cavity while maintaining patient comfort with the memory foam support. The synchronized compensating backrest provides optimal patient and operator comfort during any procedure.

FUNCTIONAL DESIGN

Dual Drop Down Armrest allows for easy Patient Access and exceptional support when the patient is in the supine position.



Linak Motor From Denmark



Memory Foam



Hydraulic System Made In Japan

- ✓ A6 Hybrid Patient Chair (Hydraulic and Electromechanical)
- ✓ Hydraulic Base and Electromechanical Back Rest
- ✓ Seat Height 14.6" to 27.4" (370mm to 697mm)
- ✓ Backrest Reclining 4 degree to 67 degree
- ✓ Electronic Deluxe Foot Control: 2 Programmable Positions.
- ✓ Auto Return and Last Position
- ✓ Input Voltage (110v or 220v)



A6 OPERATORY PACKAGE

STANDARD FEATURES



CLEAN WATER BOTTLE SYSTEM

Integrated Clean water bottle system with easy conversion from city water to bottle water with a simple flip of a switch. Convenient location and easy to access.



ADVANCED CONTROLS

Deluxe controls for chair, light and cuspidor control from the doctor side and the assistant side.

EASY TO USE AND MAINTAIN

Conveniently located and easy to clean vacuum canister filter. Allows for simple maintenance for the staff allowing them time to do other things.



- ✓ A6 Hybrid Patient Chair (Hydraulic and Electromechanical)
- ✓ State-of-the-Art Hands Free Sensor Controlled Flight Torch LED Light
- ✓ Synchronized Chair and Back Movement for Superior Ergonomics
- ✓ Choose from 9 Plush Sewn or Seamless Upholstery Colours and 2 Ultraleather Colours
- ✓ Self Contained Water Bottle System
- ✓ Thin Backrest and Streamlined Seat rest
- ✓ Designed and Engineered in Canada
- ✓ DCI Compatible Parts



A6 RADIUS PACKAGE

STANDARD FEATURES



OPTIONAL CUSPIDOR

Optional Radius Cuspidor available. One Piece Ceramic Cuspidor with timed cup fill and bowl rinse controls right from your touchpad.



SIMPLE & CLEAN DESIGN

Radius Design allows user to convert from a left handed delivery unit to a right handed delivery unit without the use of any tools. Simple and clean design is a great option for any clinic.

EASY TO USE AND MAINTAIN

Conveniently located and easy to clean vacuum canister filter. Allows for simple maintenance for the staff allowing them time to do other things.



- ✓ Ambidextrous operation suitable for Left handed or Right Handed Users
- ✓ Unique cantilever base mounted Swing System for reduced weight bearing and less vibration
- ✓ Optional Radius One Piece Ceramic Cuspidor
- ✓ Great for Group Practices and DSOs
- ✓ A6 Hybrid Patient Chair (Hydraulic and Electromechanical)
- ✓ State-of-the-Art Hands Free Sensor Controlled Flight Torch LED Light
- ✓ Synchronized Chair and Back Movement for Superior Ergonomics



A12 PATIENT CHAIR

STANDARD FEATURES



Double Articulating Headrest



Rotatable Armrest



JAPANESE MADE HYDRAULIC DRIVE MECHANISMS

Japanese made Hydraulic Motor and Solenoid provides reliable movement for you dental chair.



MEMORY FOAM COMFORT

Comfort and support for the patient during those long procedures with a high density memory foam material in the upholstery.

VERSATILITY

Versatile design with Trendelenburg movement and a 60 degree swivel on the chair that allows the chair to be positioned correctly in any space.



30 Degree Rotation



- ✓ Fully Hydraulic Patient Chair
- ✓ Seat Height 16" to 33.5" (410mm to 850mm)
- ✓ 60° Patient Chair swivel
- ✓ Backrest Reclining Angle – 5 degrees to 67 degrees
- ✓ Electronic Deluxe Foot Control: 2 Programmable Position
- ✓ Auto-Return and Last Position
- ✓ Safety Shut-Off Plate
- ✓ Input Voltage Specify (110V or 220V)



A12 OPERATORY SYSTEMS

STANDARD FEATURES



OPTIONAL CUSPIDOR

Ceramic One Piece Cuspidor mounted to the post mount radius support unit on the A12. 180 degree rotation of the cuspidor for easier patient use. Timed cup fill and bowl rinse.



CONTINENTAL DELIVERY UNIT

Optional upgrade to a continental up hung delivery unit. Simple design that allows less fatigue during operations with the whip system.

CLEAN WATER BOTTLE SYSTEM

Conveniently located water bottle system on the front radius arm of the delivery unit. Provides easy access for refilling the water.



- ✓ A12 Hydraulic Patient Chair
- ✓ State-of-the-Art Hands Free Sensor Controlled Flight Torch LED Light
- ✓ Synchronized Chair and Back Movement for superior Ergonomics
- ✓ Choose from 9 Plush Sewn or Seamless Upholstery colours and 2 Ultraleather colours
- ✓ Self Contained Water Bottle System
- ✓ Thin Backrest and Streamlined Seat rest
- ✓ Designed and Engineered in Canada
- ✓ DCI Compatible Parts



DELIVERY UNITS

REAR DELIVERY

TRADITIONAL DELIVERY UNIT



TRAD-2002



TRAD-2001

CONTINENTAL DELIVERY UNIT



CONT-3002

PANEL MOUNT DELIVERY



RD-2102/VAC

FEATURES

- ✓ Easy to Install Cabinet Panel Mount Delivery
- ✓ Includes 3 HP Control Block + Syringe
- ✓ Optional Vacuum Package
- ✓ Clean Water Bottle System Included

UNDER CABINET MOUNT DELIVERY

RD-3100
3 HP Under Cabinet Mount



RD-3150
3 HP Under Cabinet Mount with Vacuum (HVE, SE)



AI-105



MOBILE CART DELIVERY

FEATURES

- ✓ Optional Vacuum with HVE + SE (MC-1300FVAC/MC-1302VAC)
- ✓ Solid Frame with Adjustable Height
- ✓ Dual Casters for all surfaces
- ✓ Water Bottle System Included



MC-1300F



MC-1302F

OPTIONS

- ✓ Water Bottle System (110-032)
- ✓ Fiber Optic System (FO-101KIT)

- ✓ Under Cabinet Mount Vacuum Arm (AI-105)
- ✓ Extra HVE (XHVE-102)

TORCH LED LIGHT

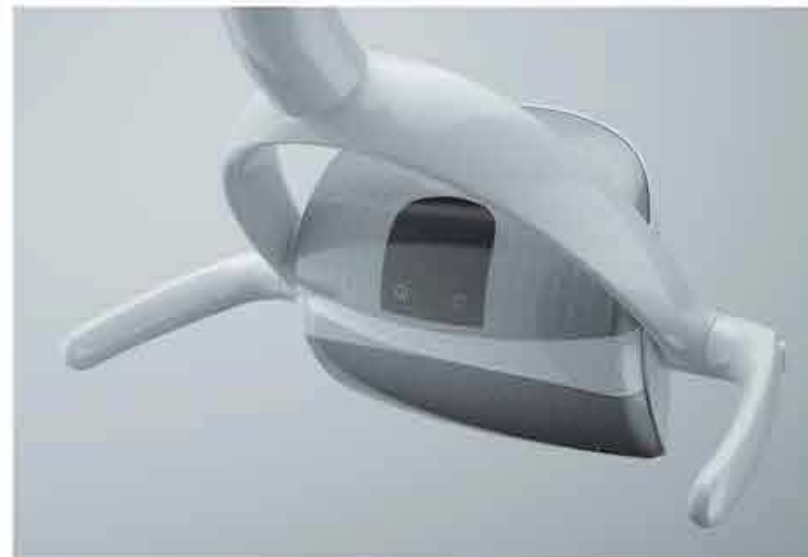
IRIS LED LIGHT

STANDARD FEATURES



STANDARD FEATURES

- ✔ Direct LED Light Bulbs - 50,000 hr life expectancy
- ✔ Energy Efficient, No Heat Production
- ✔ Triple Axis movement of Light Head
- ✔ Sensor control for on/off of light
- ✔ Removable handles for cleaning
- ✔ Shadow less Rectangular Pattern
- ✔ Colour Temperature: 5500K
- ✔ Light Intensity (Lux):High 30,000; Low 8,000



- ✔ Free Movement as a result of 3rd axis
- ✔ Low Energy Consumption <20w
- ✔ No Fan, less noise and improved working conditions
- ✔ Low Heat Production
- ✔ LED life expectancy is about 50,000 hours
- ✔ Patented Colour Temperature Adjustment
- ✔ 3 Modes (Cure Safe Mode, Surgical Procedures, Colour Matching Mode)
- ✔ Made in Italy
- ✔ Colour Temperature: 4200- 6000 K (5 Adjustable Steps)
- ✔ Light Intensity (Lux):High 35,000; Low 8,000 (5 Adjustable Steps)
- ✔ CRI (Colour Rendering Index) : >90%



Anti-polymerisation Mode
3000 K, minimises blue emission,
reducing the compound
curing speed;



Colour Matching Mode
5500 K, creates a combination of cool and
warm LEDs that maximises the colour
rendering index, facilitating the dentist's
choices during tooth replacement operations.



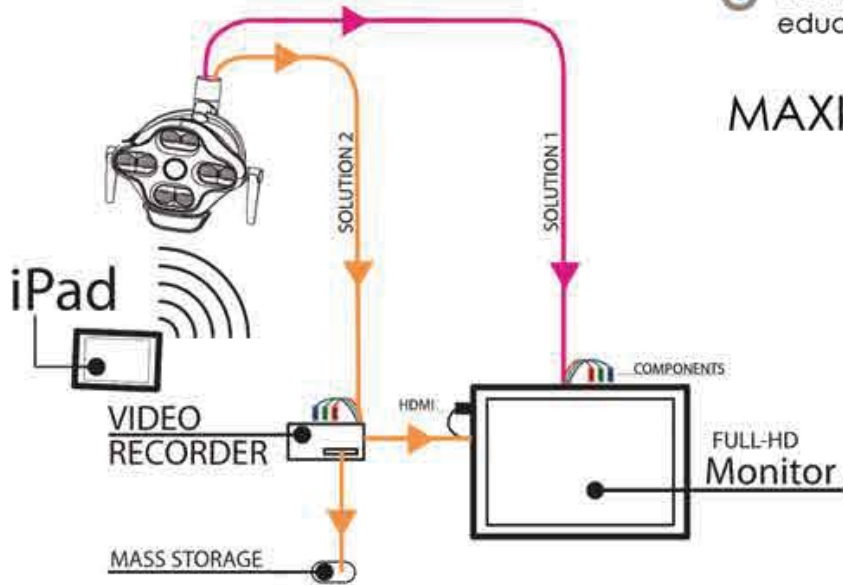
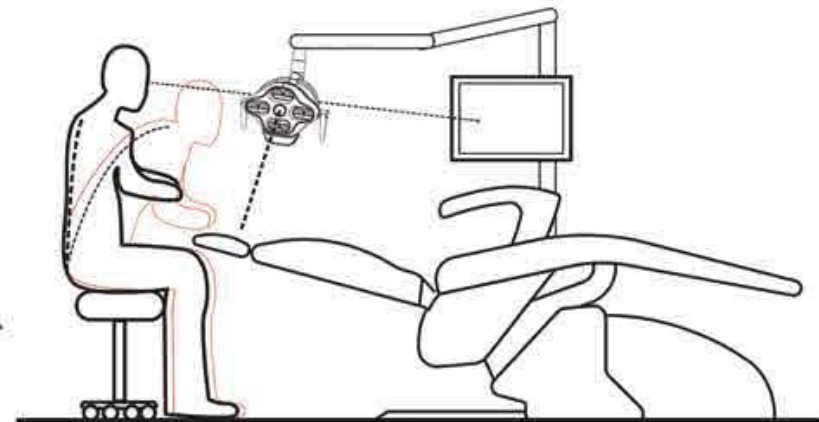
Surgical Mode
4500 K, optimises the colour
contrast on the soft tissues, better
distinguishing the shades of the
gums, blood and periodontium;



STANDARD FEATURES

- ✓ Full HD (1920 x 1080px) Camera with 30x Optical Zoom
- ✓ Built in WiFi control for light and camera through an iPad App- My Light
- ✓ Freeze Frame and Recording Capability
- ✓ Provides a detailed image of the operating area
- ✓ Improves ergonomics with indirect dentistry and reduces strain on back, shoulder and spinal cord
- ✓ Relieves eye strain by allowing the camera to focus in on a specific area
- ✓ Allows the multimedia documentation of procedures in high definition
- ✓ Live streaming capabilities, excellent for conferences, teaching schools hospitals and university lectures
- ✓ Improves and facilitates better communication with patient
- ✓ Allows better communication during diagnosis and allows better education for patient by providing real-time video streaming

MAXIMUM LIGHT QUALITY



MORE **ERGONOMIC** LESS STRESS

RECORD, **DOCUMENT**, SHARE

SINGLE LED TRACK LIGHT

Model: TL-1005T (Torch LED)
Model: TL-1005I (IRIS LED)
Model: TL-1005GIV (iView)



DUAL TRACK LIGHT

Model: TL-1006T (Torch LED)
Model: TL-1006I (IRIS LED)
Model: TL-1006GIV (iView)



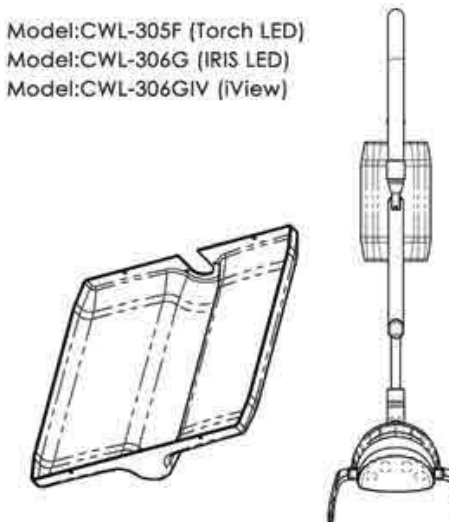
CHAIR MOUNTED LIGHT



Model: LL-306G - IRIS
Model: LL-305F - Torch
Model: LL-306GIV - (iView)

WALL/CABINET MOUNTED LIGHT

Model: CWL-305F (Torch LED)
Model: CWL-306G (IRIS LED)
Model: CWL-306GIV (iView)



CEILING MOUNTED LIGHT

Model: CL-306G - IRIS
Model: CL-305F - Torch
Model: CL-306GIV - iView



CURING LIGHTS

ACCESSORIES



XLITE 2

Xlite 2 Technical Specifications

Wavelength Range	385-515 nm
Light Performance	1,700 mW/cm ² ±20%

Features

- 1,700 mw/cm²
- 385-515nm wavelength
- 5w LED Module
- Advanced Battery Technology
- Lithium Ion Battery – 3.7Vdc
- Full Charge can Last 30 minutes of Use
- 330° degree swivel head
- Lightweight Ergonomic Design

X-CURE

X-Cure Technical Specifications

Wavelength Range	385-515nm
Light Performance	1000mW/cm ² - 1200mW/cm ²

Features

- Wireless Battery can be Replaced
- Three Working Modes: Full Ramping and Pulsing
- Time Settings: 5, 10, 15, 20s
- 400 times of continuous use at 10s each
- Low standby power consumption
- Ergonomic handle and head design
- Extra Battery Included



MAGNETOSTRICTIVE SCALER



Features

- Dual Frequency Ultrasonic System: Accepts both 25 and 30K Inserts
- Automatically adjusts to 25 or 30k
- Turbo Function controlled by a 2-position foot switch to provide extra power to remove heavy calculus
- Detachable Autoclavable Handpiece Sleeve
- Individual Water Control
- Power Control

BUILT- IN PIEZO SCALERS



N6LED-1902

- Easy & Compact to Install in Any Delivery Unit
- Piezo Technology
- LED Illumination
- Microcomputer control and Automatic Frequency Tracking
- Compatible with EMS Tips

BUILT IN ELECTRIC MOTOR

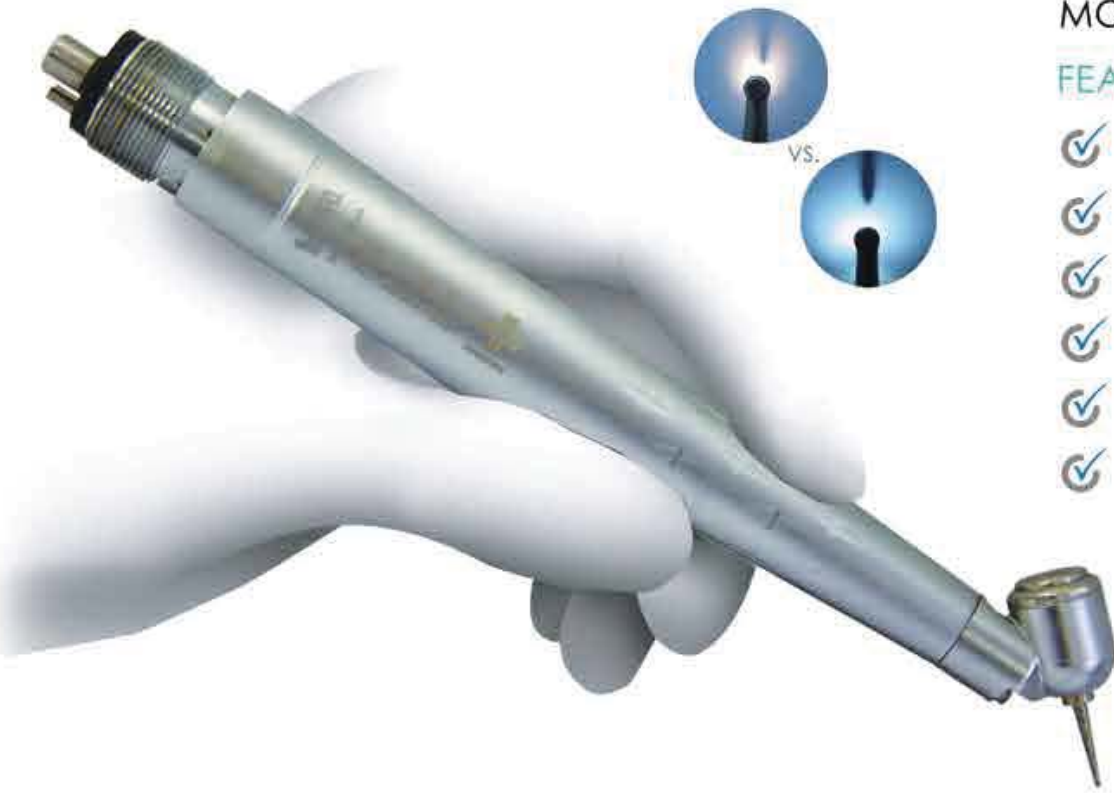


MX2 LED Micro-Series

Type	Brushless, with internal spray
Max Torque	3.5 N
Speed Range	100-40,000 rpm
Weight	94 gr

HIGH SPEED HANDPIECES

SELF-GENERATED LED SURGICAL HANDPIECES



MODEL: F-160

FEATURES

- ✓ 350,000 RPM
- ✓ Single Water Spray
- ✓ Rear Exhaust Air
- ✓ 25,000 Lux LED Light – Self Generating
- ✓ 4 Hole Midwest Connection
- ✓ 21W Torque



FIBER OPTIC HIGHSPEED HANDPIECE

Push Button Chuck
Easy to Release and Engage Bur

German Ceramic Bearings
Quality Precision

Triple Spray
Quick & Efficient Cooling

Fiber Optic Illumination
Clear & Bright Illumination

Small Head Size
Easy Access and Powerful

Lightweight Design
Easy to Hold and Well Balanced

Quiet and Comfortable Operation
Low Noise and Powerful

NON-FIBER OPTIC HIGHSPEED HANDPIECE

- ✓ >370,000 RPM
- ✓ Standard head ø11.2mm
- ✓ <70db
- ✓ Economical and Reliable
- ✓ Single Water Spray
- ✓ 19W Torque

STANDARD HEAD
MODEL: F-164



TORQUE HEAD
MODEL: F-170KT

- ✓ 320,000 RPM
- ✓ Torque Head ø13.0mm
- ✓ Triple Water Spray
- ✓ 23W Torque
- ✓ Kavo Style



STANDARD HEAD
MODEL: F-170K

- ✓ 320,000 RPM
- ✓ Torque Head ø12.0mm
- ✓ Triple Water Spray
- ✓ 21W Torque
- ✓ Kavo Style



STORM COUPLER

SELF GENERATING LED LIGHT

QC-165K



✓ Self contained LED Generating Coupler

✓ No Need for any Electrical Connection or Fiber Optic Box

✓ 4 Hole Midwest Connection



4 HOLE
KAVO COUPLER
NO LIGHT
QC-164K



6 HOLE
KAVO MULTIFLEX
COUPLER
WITH LIGHT
QC-170K

SLOW SPEED HANDPIECE COLLECTION

EXTERNAL WATER - NSK COMPATIBLE



INTERNAL WATER SPRAY - KAVO COMPATIBLE



AUTOMATIC HANDPIECE MAINTENANCE SYSTEM

ACCOMMODATES ALL BRANDS OF HANDPIECES

All brands of E-Type low speed handpieces connect directly to the coupling supplied. The highspeed handpiece connects directly to a 4-hole connection or a quick disconnect coupler can be installed.



Model: HPL-3001

1 Low Speed Connection and
2 Highspeed Connections

Model: HPL-3002

2 Low Speed Connections
and 1 Highspeed Connection

FEATURES

- ✓ 2 High speed Connections
- ✓ 1 Low speed Connection
- ✓ Easy Fill Oil Reservoir
- ✓ Clean and mess-free oil sponge
- ✓ Compressed Air Input with Easy connection
- ✓ Individual programmed Cycles that provides thorough cleaning and lubrication
- ✓ Easily detachable door for easy cleaning

PROGRAMMED CYCLES

S: Short Cycle for High Speed Handpieces
(Lubricating and Cleaning Time: 35 seconds)

L: Long Cycle for Low Speed Handpieces
(Lubricating and Cleaning Time: 45 seconds)

E: Extra Long Cycle for Speed Reduction
Handpieces (Lubricating and Cleaning Time:
50 seconds)



EASY TO CLEAN

The front door can be completely removed to allow fast, easy cleaning of the system



OIL RESERVOIR

The oil reservoir has a 500ml capacity, reducing the need for frequent refilling. The clean easy to use fill tank also has an oil level indicator to allow the user to see when to add more oil.



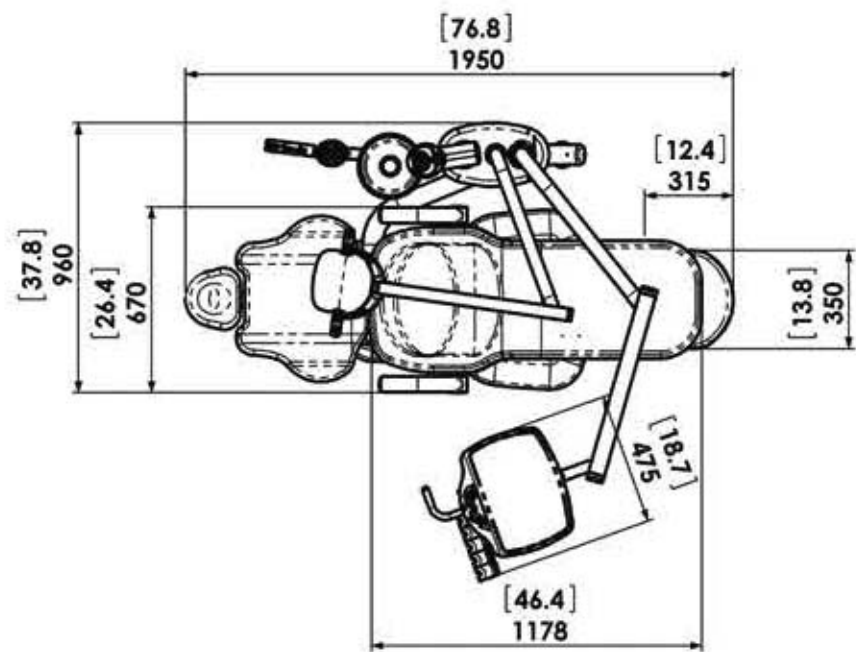
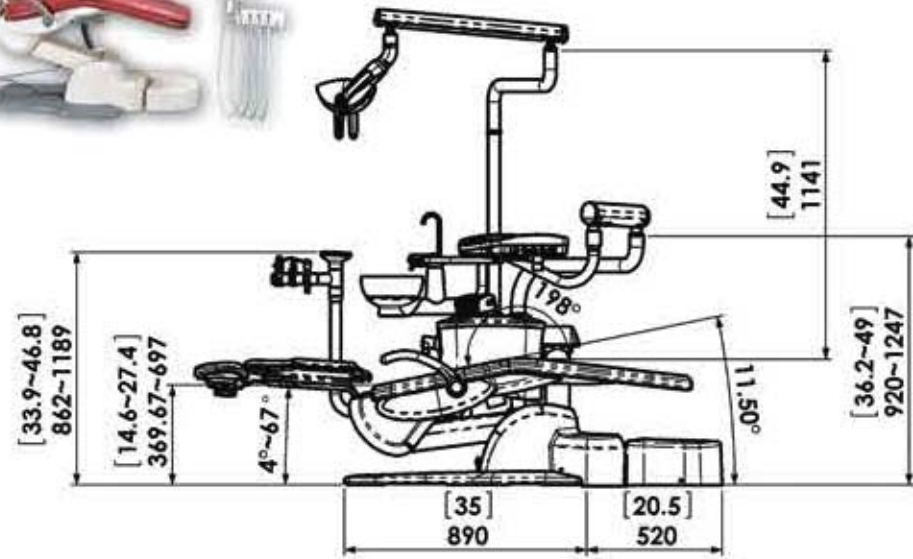
Technical Specifications

Rated Voltage	AC120V +/-10% 60Hz
Input Voltage	120V: 19VA
Air Pressure	0.35-0.6MPa - (50-85psi)
Dimensions	W 280mm x D275mm x H 360mm W 11" x D10.8" x H 14.2"
Weight	6.8kg or 15lbs

CHAIR DIAGRAMS & DIMENSIONS

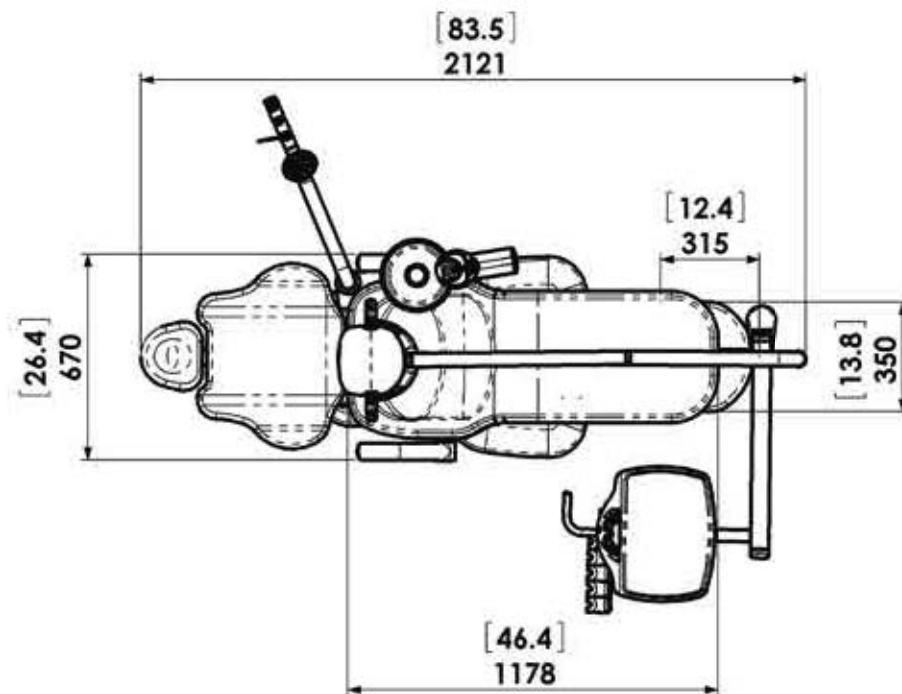
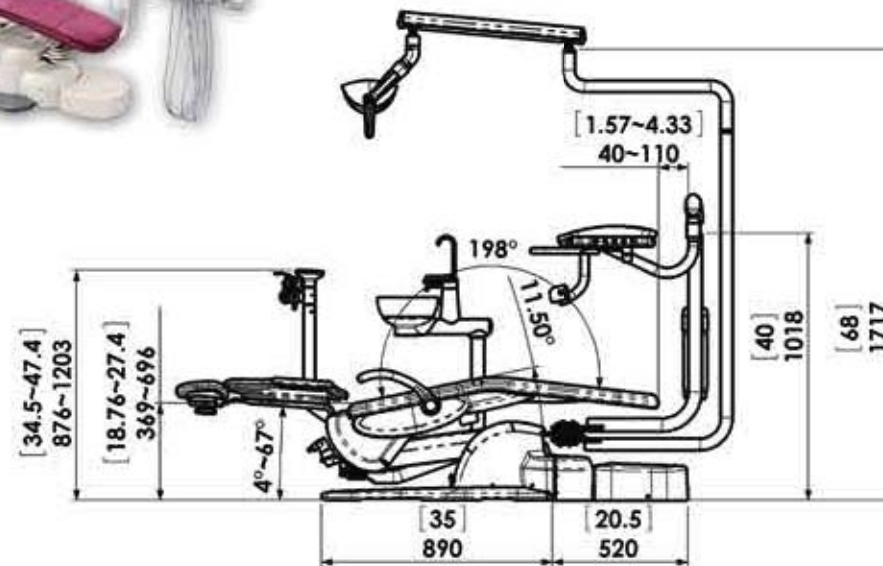
A6 STANDARD

STANDARD DIAGRAM



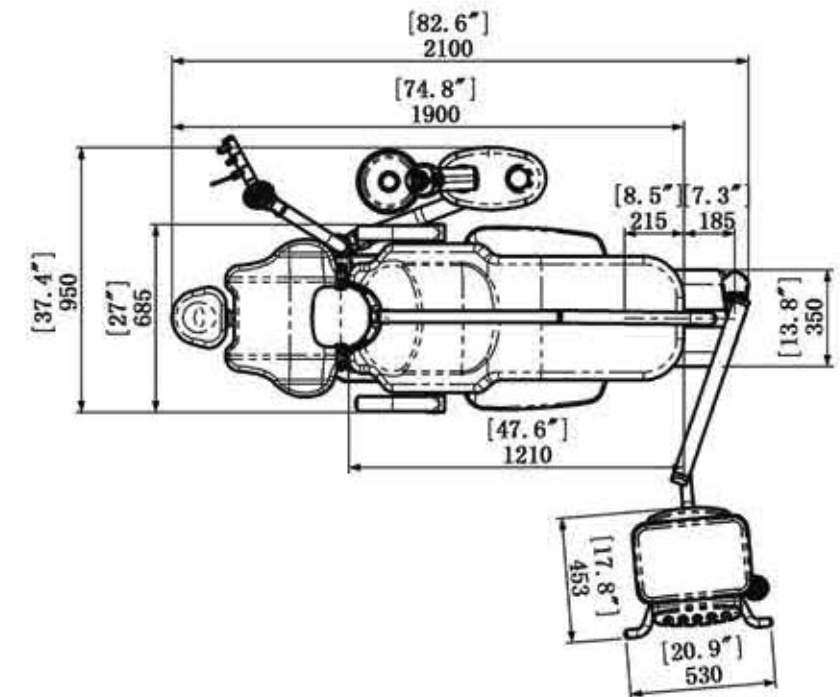
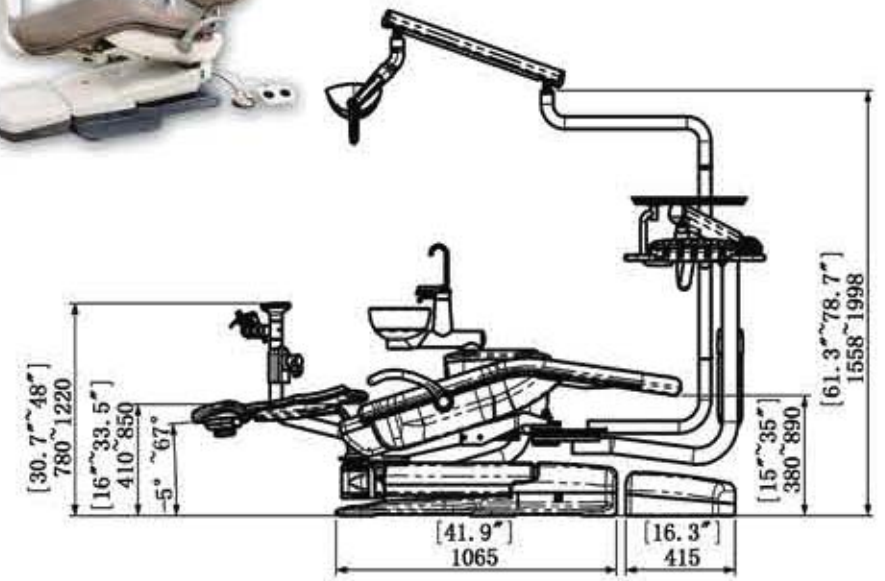
A6 RADIUS

STANDARD DIAGRAM



A12 RADIUS

STANDARD DIAGRAM



STOOLS



DELUXE DOCTOR STOOL

Dimensions:

Backrest Vertical Adjustment Range 0~ 4.7"(12cm)

Seat Width 17"(43.18cm)

Seat Height Ranges 20"-25.5"(51-68cm)

5 Leg Base Diameter 24"(61cm)



DELUXE ASSISTANT STOOL

Dimensions:

Abdominal Vertical Adjustment Range: 0~3.1"(8cm)

Seat Width 18"(45.7cm)

Seat Height Ranges 22"-27.5"(56-70cm)

5 Leg Base Diameter 24"(61cm)



SADDLE STOOL

Dimensions:

Seat Height 21.6" to 29.5" (55-75cm)

Base Diameter 18.9" (48cm)

Seat Depth 14" (35.5cm)

Seat Width 17.1" (45.3cm)



SPLIT-SADDLE STOOL

Dimensions:

Seat Height 21.6" to 29.5" (55-75cm)

Base Diameter 18.9" (48cm)

Seat Depth 14" (35.5cm)

Seat Width 17.1" (45.3cm)

COLOURS

Standard Plush Seamless and Sewn Upholstery



L12 Black



L13 Light Gray



L14 Stone



L15 Honesty



L16 Red



L22 Valley



L24 Chaps



L27 Marmalade



L28 Woodviolet

Ultraleather Sewn Upholstery U - Series



U01 Taupe



U03 Walnut

*Custom Colours Available for Both Ultraleather and Plush – Upcharge



FLIGHT DENTAL SYETEMS - First Class has Never been so Affordable!



21 Kenview Blvd. Unit 9, Brampton, ON Canada L6T 5G7

Phone : 905-799-0517 Toll Free : 1-866-799-0517

Fax : 1-905-793-2406

www.flightdentalsystems.com